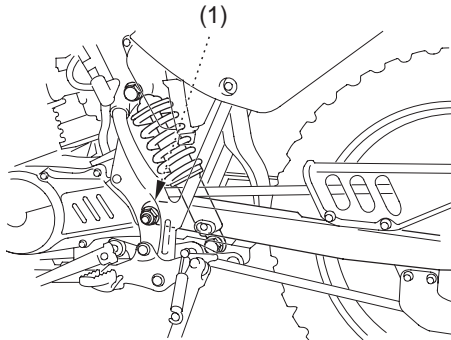


2. Check the security of all handlebar and fork mounting bolts (1). If any front suspension components appear worn or damaged, see your dealer for further inspection.

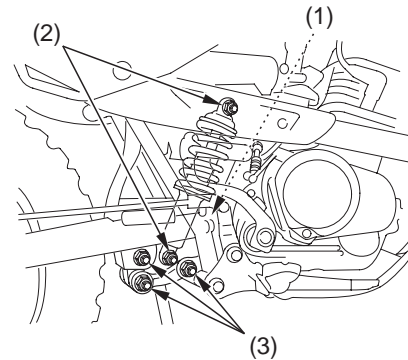
Rear Suspension Inspection

LEFT SIDE



(1) swingarm bushing

RIGHT SIDE



- (1) swingarm bushing
- (2) shock absorber attachment points
- (3) suspension linkage attachment points

1. Place the motorcycle on a maintenance stand. Push hard against the side of the rear wheel and feel for any freeplay which indicates worn swingarm bushings (1).

(cont'd)