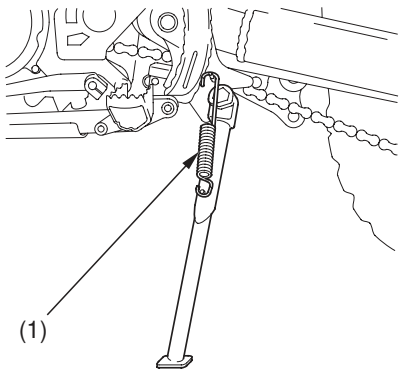


# Side Stand

---

Refer to *Safety Precautions* on [page 43](#).

LEFT SIDE



(1) side stand spring

1. Check the side stand spring (1) for damage and loss of tension.
2. Check the side stand assembly for freedom of movement.

If the side stand is stiff or squeaky, clean the pivot area and lubricate the pivot bolt with clean engine oil.