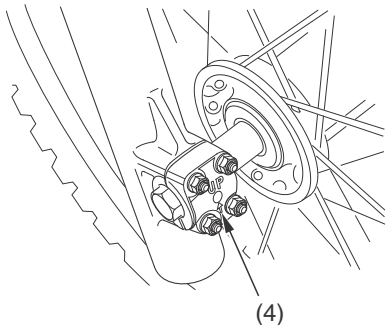


Installation

RIGHT FRONT



(4) UP mark

1. Reverse the removal procedure. Install the side collars into the wheel.
2. Insert the front axle shaft through the wheel hub and left fork leg.
3. Tighten the front axle shaft to the specified torque:
54 lbf•ft (73.5 N•m, 7.5 kgf•m)

4. Install the axle holder with the UP mark (4) upward and first tighten the upper axle holder nuts until lightly seated, then tighten the lower axle holder nuts until lightly seated.
5. Operate the front brake and pump the fork several times.
6. First tighten the upper axle holder nuts to the specified torque, then tighten the lower axle holder nuts to the same torque:
9 lbf•ft (12 N•m, 1.2 kgf•m)
7. After installing the wheel, apply the brake several times and then check if the wheel rotates freely. Recheck the wheel if the brake drags or if the wheel does not rotate freely. Check front brake adjustment ([page 86](#)).

If a torque wrench was not used to install the wheel, see your dealer as soon as possible to verify proper assembly. Improper assembly may lead to loss of braking capacity.