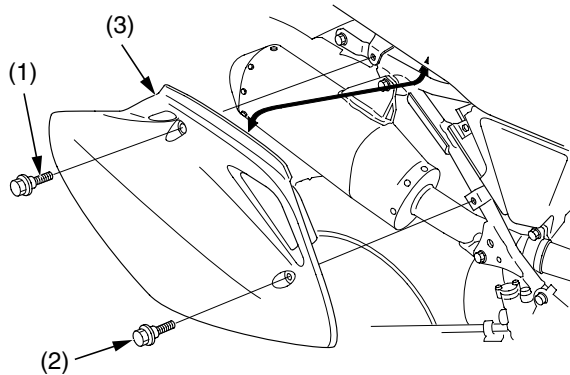


Refer to *Safety Precautions* on page 19.

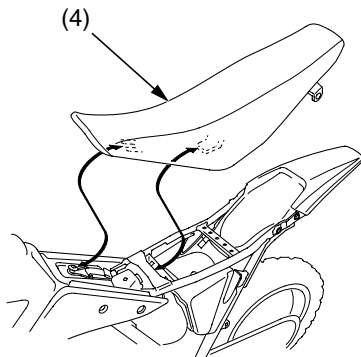
Removal

1. Remove the seat mounting bolts (1), side cover bolts (2) and side covers (3).



- (1) seat mounting bolt (3) side cover
(2) side cover bolt

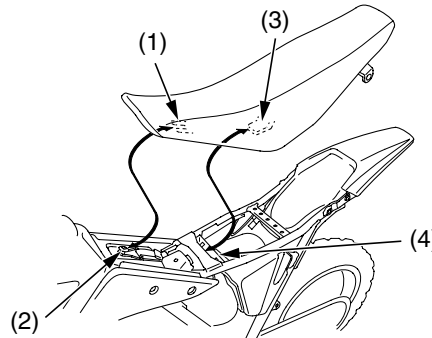
2. Remove the seat (4) by sliding it backward.



- (4) seat

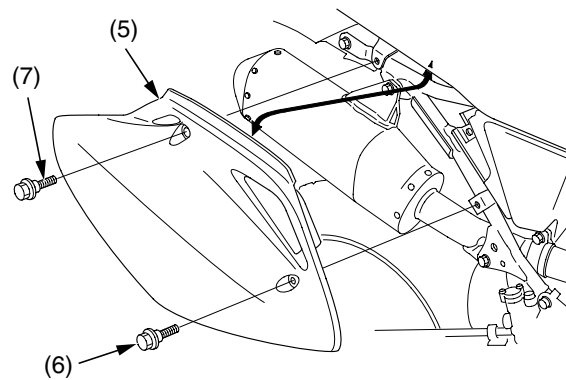
Installation

1. Install the seat while aligning the front prong (1) with the seat bracket (2) and rear prong (3) with the tab (4) of the frame.



- (1) front prong (3) rear prong
(2) seat bracket (4) tab

2. Install the side covers (5) and tighten the side cover bolts (6).
3. Install and tighten the seat mounting bolts (7) to the specified torque:
19 lbf·ft (26 N·m, 2.7 kgf·m)



- (5) side cover (7) seat mounting bolt
(6) side cover bolt