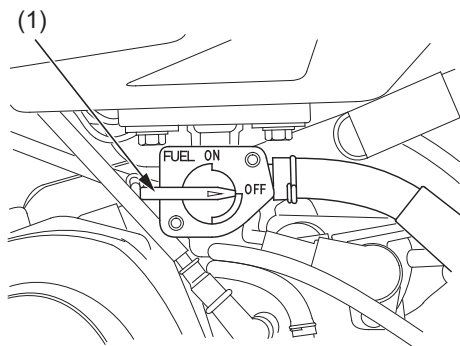


Fuel Tank

Refer to *Safety Precautions* on [page 19](#).

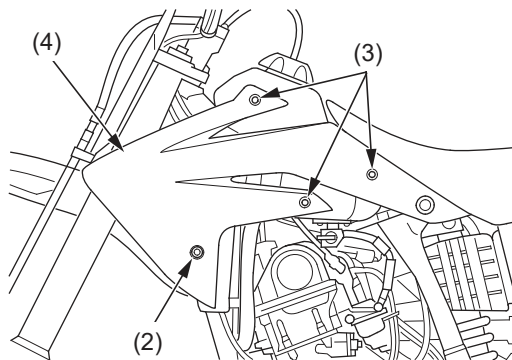
Removal

1. Turn the fuel valve (1) OFF.



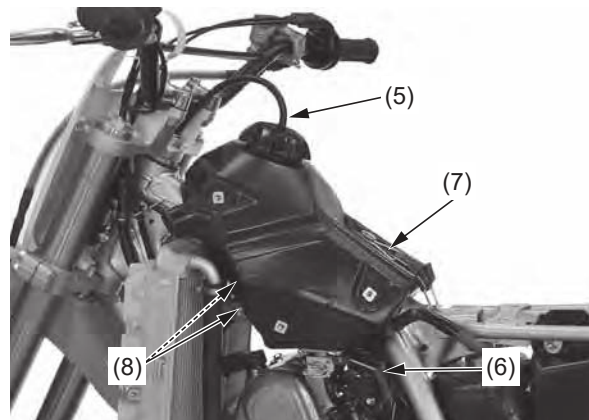
(1) fuel valve

2. Remove the shroud A bolts/collars (2).
3. Remove the shroud B bolts (3) and shrouds (4).



(2) shroud A bolt/collar
(3) shroud B bolts
(4) shroud

4. Remove the seat ([page 29](#)).
5. Pull the breather tube (5) out of steering stem nut.
6. Disconnect the fuel line (6).
7. Unhook the fuel tank band (7).
8. Remove the fuel tank bolts/washers (8).
9. Remove the fuel tank.



(5) breather tube
(6) fuel line
(7) fuel tank band
(8) fuel tank bolts/washers

⚠ WARNING

Gasoline is highly flammable and explosive. You can be burned or seriously injured when handling fuel.

- Stop the engine and keep heat, sparks and flame away.
- Handle fuel only outdoors.
- Wipe up spills immediately.