

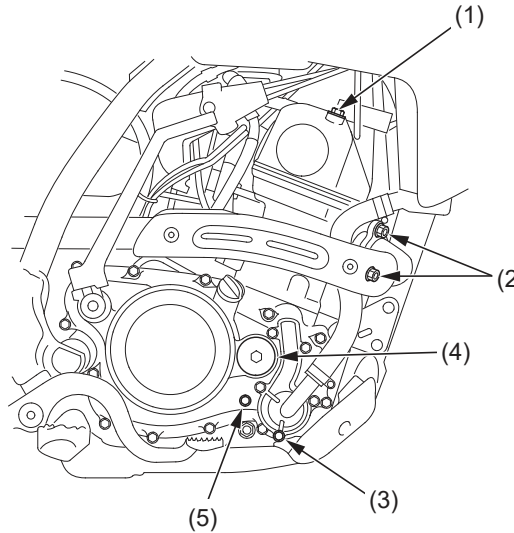
## Nuts, Bolts, Fasteners

Check and tighten nuts, bolts, and fasteners before every outing.

### ENGINE

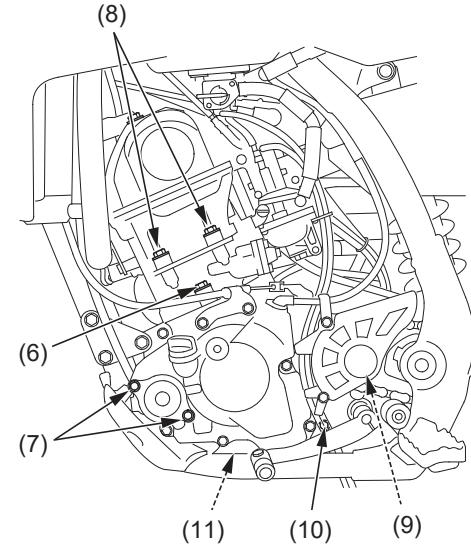
	Item	Torque		
		lbf•ft	N•m	kgf•m
1	Cylinder head cover bolts	7	10	1.0
2	Exhaust pipe joint nuts	8	11	1.1
3	Coolant drain bolt	7	10	1.0
4	Crankshaft hole cap	11	15	1.5
5	Transmission oil check bolt	7	10	1.0
6	Cylinder bolt	7	10	1.0
7	Oil filter cover bolts	7	10	1.0
8	Cylinder head bolts	7	10	1.0
9	Drive sprocket bolt	10	13	1.3
10	Transmission oil drain bolt	16	22	2.2
11	Engine oil drain bolt	16	22	2.2

### RIGHT SIDE



- (1) cylinder head cover bolts
- (2) exhaust pipe joint nuts
- (3) coolant drain bolt
- (4) crankshaft hole cap
- (5) transmission oil check bolt

### LEFT SIDE



- (6) cylinder bolt
- (7) oil filter cover bolts
- (8) cylinder head bolts
- (9) drive sprocket bolt
- (10) transmission oil drain bolt
- (11) engine oil drain bolt