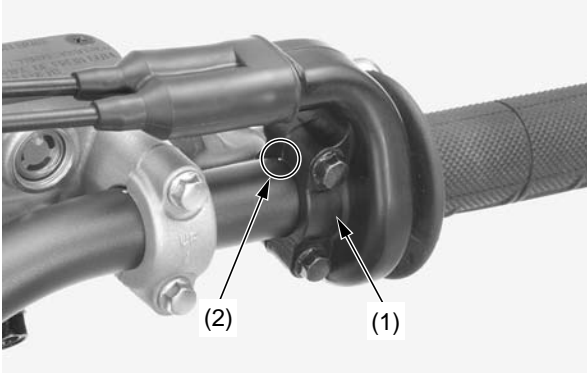


# Throttle

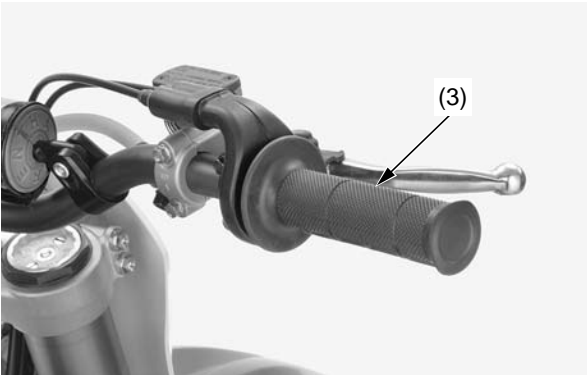
## Throttle Inspection

1. Check that the throttle assembly is positioned properly (the end of the throttle housing (1) is aligned with the paint mark (2) on the handlebar) and the securing bolts are tight.



(1) throttle housing      (2) paint mark

2. Check for smooth rotation of the throttle (3) from fully open to fully closed in all steering positions. If there is a problem, see your Honda dealer.



(3) throttle

3. Inspect the condition of the throttle cables from the throttle grip down to the throttle body. If the cable is kinked or chafed, have it replaced.
4. Check the cables for tension or stress in all steering positions.
5. Lubricate the cables with a commercially available cable lubricant to prevent premature rust and corrosion.