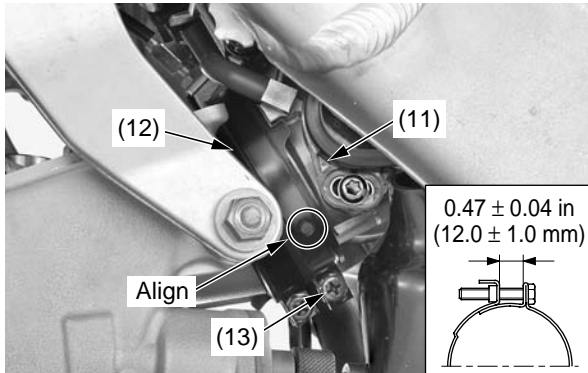


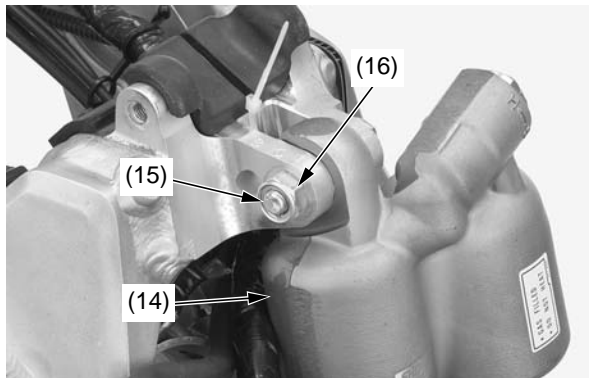
# Piston/Piston Rings/Piston Pin

6. Install the throttle body (11) to the insulator (12) by aligning the tab of the throttle body with the groove of the insulator and tighten the insulator band screw (13) so the distance between the band ends is  $0.47 \pm 0.04$  in ( $12.0 \pm 1.0$  mm).



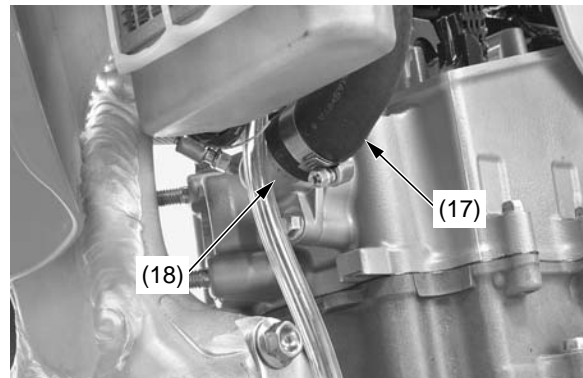
(11) throttle body (13) insulator band screw  
(12) insulator

7. Set the rear shock absorber (14) and install the rear shock absorber upper bolt (15) and nut (16).  
Tighten the rear shock absorber upper nut to the specified torque:  
32 lbf·ft (44 N·m, 4.5 kgf·m)



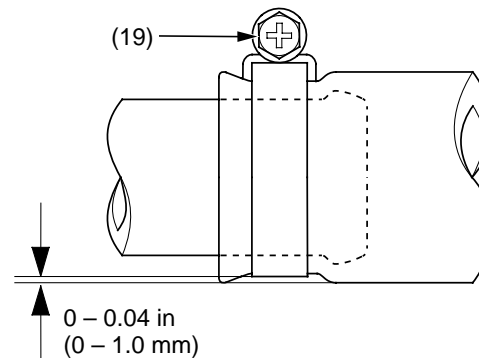
(14) rear shock absorber (16) nut  
(15) rear shock absorber upper bolt

8. Connect the radiator hose (17) to the water hose joint (18) of the cylinder head.



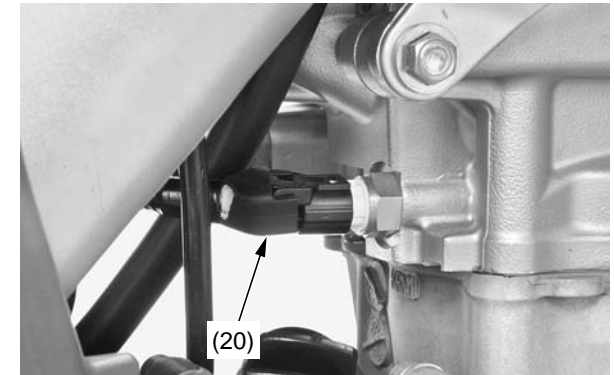
(17) radiator hose  
(18) water hose joint

9. Tighten the radiator hose clamp screw (19) as illustrated below.



(19) radiator hose clamp screw

10. Connect the ECT sensor connector (20).



(20) ECT sensor connector

11. Install the shims, valve lifters, camshaft and camshaft holder (page 69).  
12. Install the crankshaft hole cap (page 70).  
13. Install the cylinder head cover (page 71).  
14. Install the spark plug (page 63).  
15. Install the exhaust pipe (page 98).  
16. Install the subframe (page 36) and muffler (page 97).  
17. Install the fuel tank and seat (pages 33, 35).  
18. Fill and bleed the cooling system (page 139).  
Check for the following:
- compression leaks
  - abnormal engine noise
  - secondary air leaks
  - coolant leaks
  - oil leaks

(cont'd)