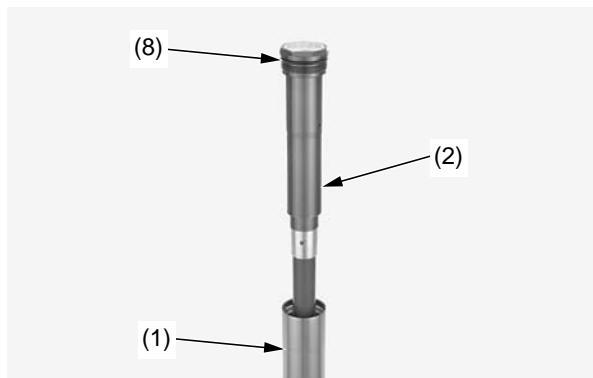


6. Check that the O-ring (8) on the fork damper (2) is in good condition. Apply the recommended fork oil to the O-ring.



- (1) outer tube  
(2) fork damper  
(8) O-ring

7. Temporarily install the fork damper to the outer tube (1).  
After installing the fork leg (page 108) tighten the fork damper to the specified torque:  
Actual:  
25 lbf·ft (34 N·m, 3.5 kgf·m)  
Torque wrench scale reading:  
23 lbf·ft (31 N·m, 3.2 kgf·m), using a 20 in (500 mm) long torque wrench.

When using the lock nut wrench, use a 20 in (500 mm) long deflecting beam type torque wrench. The lock nut wrench increases the torque wrench's leverage, so the torque wrench reading will be less than the torque actually applied to the fork damper.