

Suspension

3. Remove the valve caps and clean the area around the air valves (3).
4. Release the air pressure from the inner chamber by pressing the valve center.

When releasing air pressure from the inner chamber, the fork will be shortened.

5. Place a shop towel over the balance chamber air valve. Release the air pressure from the balance chamber by pressing the valve center.

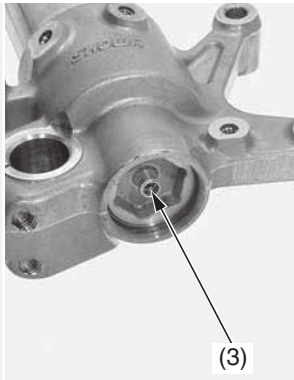
When releasing air pressure from the balance chamber, the fork will be extended.
Spraying a small amount of fork oil from the balance chamber air valve is normal when releasing air pressure from the balance chamber. This will not affect the fork performance.

Inner chamber:

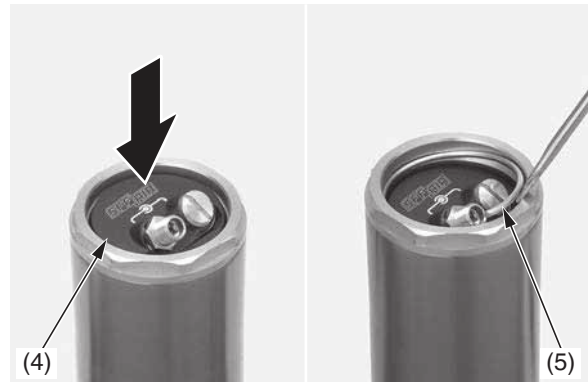


(3) air valves

Balance chamber:



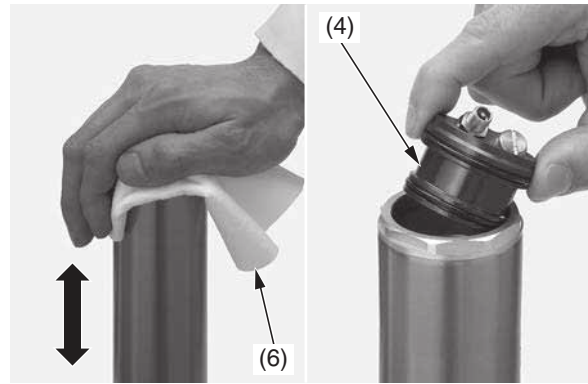
6. Press the fork cap (4) and remove the stopper ring (5).



(4) fork cap

(5) stopper ring

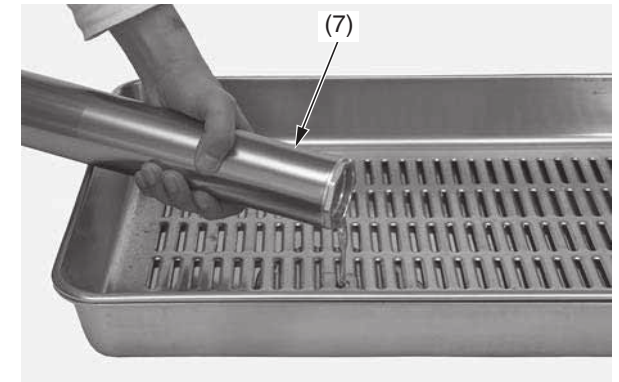
7. Place a shop towel (6) over the fork cap.
8. Slide the outer tube down slowly several times and remove the fork cap (4).



(4) fork cap

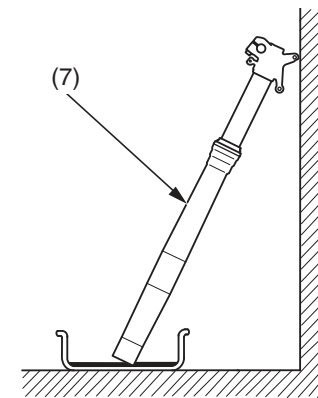
(6) shop towel

9. Drain the fork oil from the inner chamber by sliding the outer tube (7) several times.



(7) outer tube

10. Drain the fork oil by turning the outer tube (7) upside down. (About 0.03 US oz (1.0 cm³) of fork oil will be left in the inner chamber when it is left inverted for about 20 minutes at 68°F/20°C.)



(7) outer tube