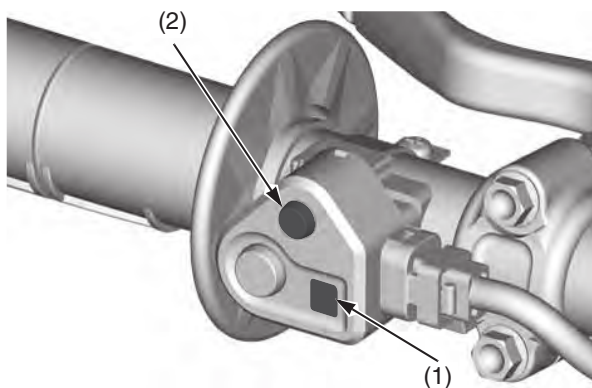


Mode Indicator

The mode indicator (blue) (1) is located under the engine mode select button (2).

The mode indicator indicates the currently selected mode by blinking the mode number once when the engine is started.



- (1) mode indicator (blue)
- (2) engine mode select button

The mode indicator indicates a selected mode when you operate the engine mode select button (page 126).

If the mode indicator stays on or does not come on when it should, have your dealer check it for problems.