

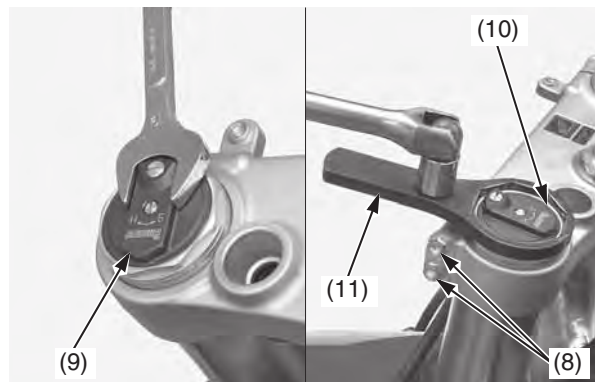
Suspension

4. Loosen the fork bridge upper pinch bolts (8).
 5. Loosen the fork bolt assembly (9), but do not remove it yet.
 6. Loosen the fork damper assembly (10) using the lock nut wrench (11), but do not remove it yet.
- Lock nut wrench 07WMA-KZ30100

The procedure is the same for the both right and left fork legs.

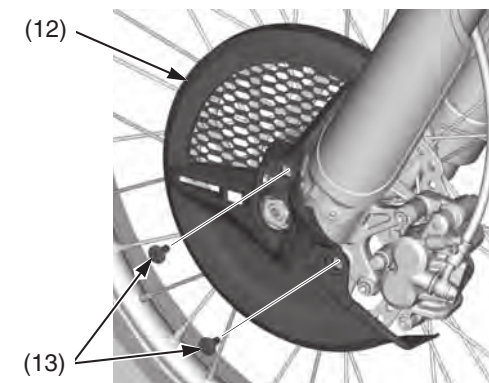
NOTICE

Do not use an adjustable wrench to loosen the fork damper: it may damage the fork damper.



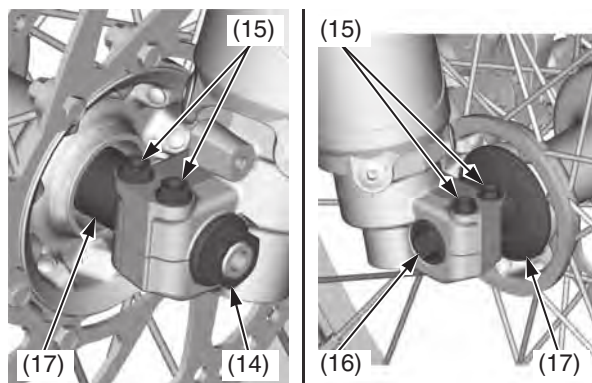
- (8) fork bridge upper pinch bolts
 (9) fork bolt assembly
 (10) fork damper assembly
 (11) lock nut wrench

7. Remove the disc cover (12) by removing disc cover socket bolts (13).



- (12) disc cover (13) disc cover socket bolts

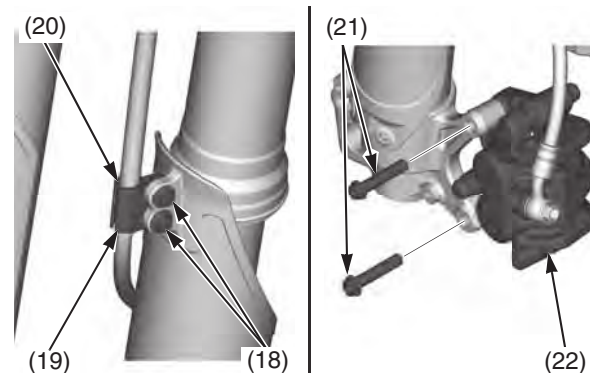
8. Remove the front axle nut (14) and loosen the axle pinch bolts (15) on both forks. Pull the front axle shaft (16) out of the wheel hub and remove the front wheel with collars (17).



- (14) front axle nut (16) front axle shaft
 (15) axle pinch bolts (17) collars

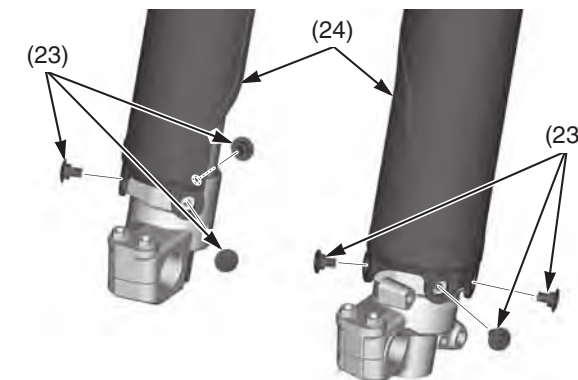
9. Remove the brake hose clamp bolts (18), stay A (19) and stay B (20).
10. Remove the front brake caliper mounting bolts (21) and brake caliper (22).
 - Do not support the brake caliper by the brake hose.

- Do not operate the brake lever after the front wheel is removed. To do so will cause difficulty in fitting the brake disc between the brake pads.



- (18) brake hose clamp bolts
 (19) stay A
 (20) stay B
 (21) front brake caliper mounting bolts
 (22) brake caliper

11. Remove the fork protector socket bolts (23) and fork protectors (24).



- (23) fork protector socket bolts
 (24) fork protectors