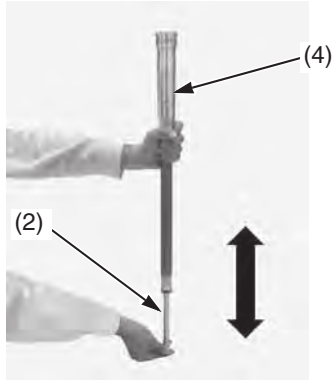
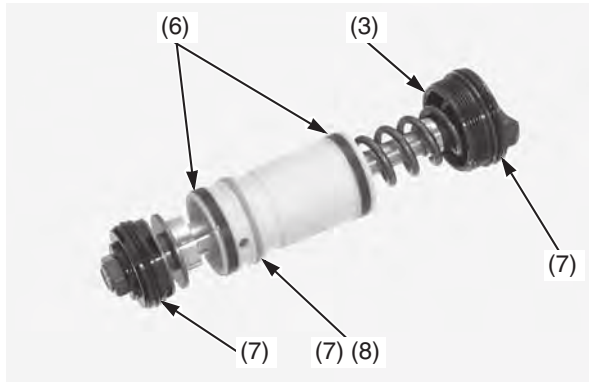


8. Pump the fork damper piston rod (2) slowly several times to bleed the air from the fork damper assembly (4).



(2) fork damper piston rod
(4) fork damper assembly

9. Apply fork oil to the fork bolt bushings (6), new O-rings (7) and new piston ring (8) on the fork bolt assembly (3).

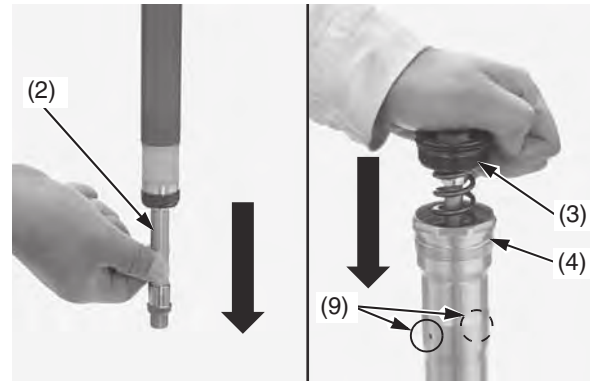


(3) fork bolt assembly
(6) fork bolt bushings
(7) O-rings (new)
(8) piston ring (new)

10. Cover the oil holes (9) of the fork damper assembly with a shop towel and compress the piston rod (2) all the way. Pull the piston rod out 0.8 in (20 mm) and install the fork bolt assembly (3) into the fork damper assembly (4). Push the fork bolt assembly in slowly while pulling the piston rod out.

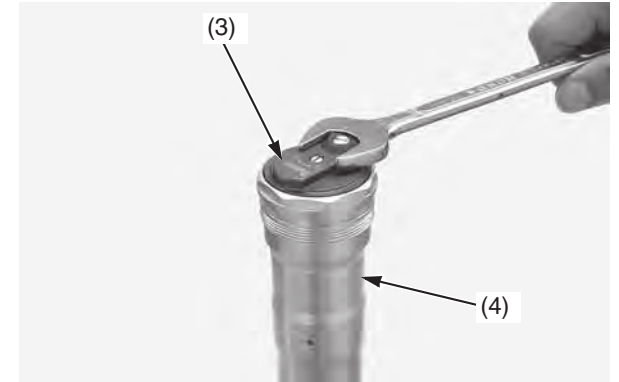
NOTICE

Be careful not to damage the fork bolt piston ring.



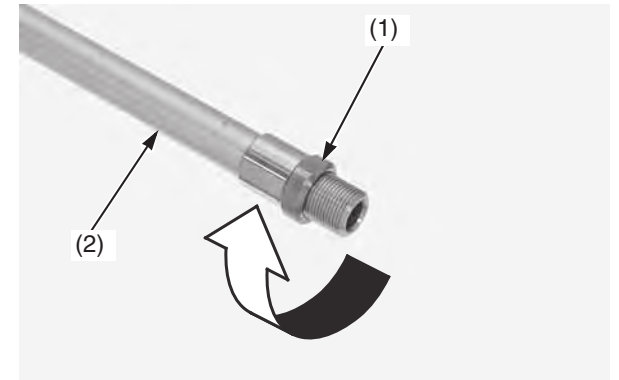
(2) fork damper piston rod
(3) fork bolt assembly
(4) fork damper assembly
(9) oil holes

11. Temporarily tighten the fork bolt assembly (3) to the fork damper assembly (4).



(3) fork bolt assembly (4) fork damper assembly

12. Completely screw in the fork center bolt lock nut (1) to the fork damper piston rod (2).



(1) fork center bolt lock nut
(2) fork damper piston rod

13. Check the fork damper piston rod sliding surface and threads for damage.

(cont'd)