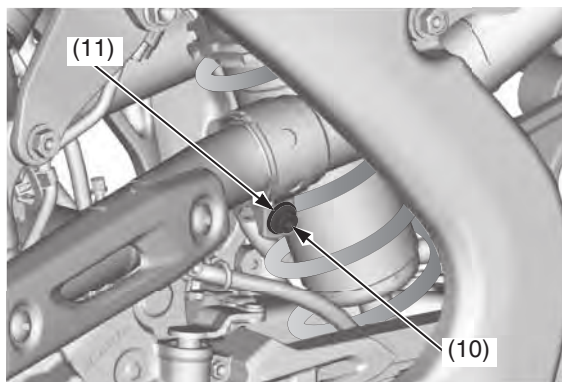


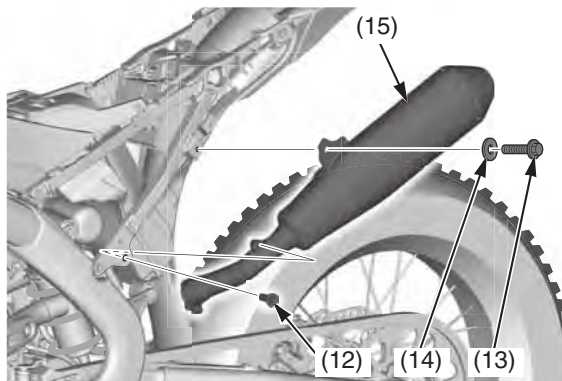
Exhaust Pipe/Muffler

- Loosen the left muffler clamp bolt (10) and washer (11).



(10) left muffler clamp bolt (11) washer

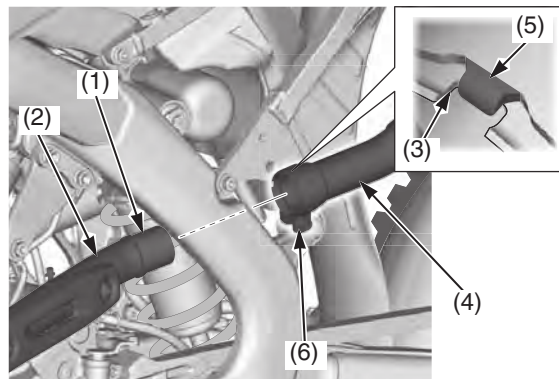
- Remove the left muffler mounting A bolt (12), B bolt (13), washer (14) and left muffler (15).



(12) left muffler mounting A bolt
 (13) left muffler mounting B bolt
 (14) washer
 (15) left muffler

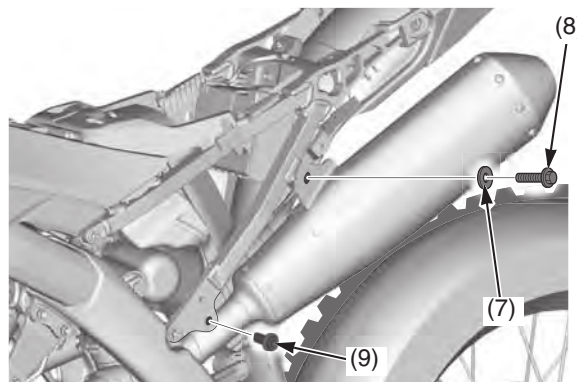
Muffler Installation

- Remove the gasket (1).
- Install a new gasket onto the exhaust pipe (2).
- Align the cutout (3) of the left muffler (4) with the tab (5) of the left muffler clamp (6).
- Install the left muffler.



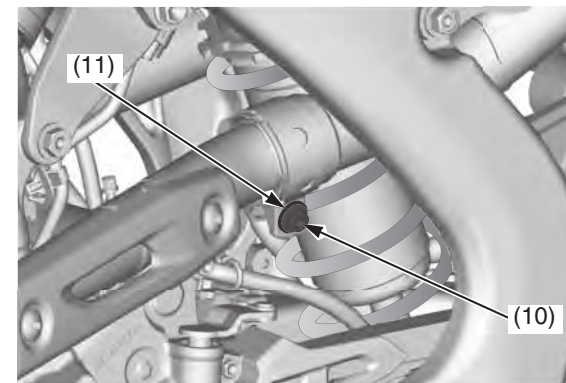
(1) gasket (4) left muffler
 (2) exhaust pipe (5) tab
 (3) cutout (6) left muffler clamp

- Install the washer (7), left muffler mounting B bolt (8) and A bolt (9).



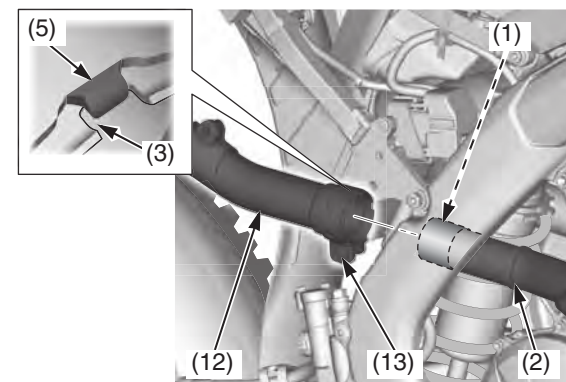
(7) washer
 (8) left muffler mounting B bolt
 (9) left muffler mounting A bolt

- Tighten the left muffler clamp bolt (10) and washer (11) to the specified torque:
 15 lbf-ft (20 N·m, 2.0 kgf·m)



(10) left muffler clamp bolt (11) washer

- Remove the gasket (1).
- Install a new gasket onto the exhaust pipe (2).
- Align the cutout (3) of the right muffler (12) with the tab (5) of the right muffler clamp (13).
- Install the right muffler (12).



(1) gasket (5) tab
 (2) exhaust pipe (12) right muffler
 (3) cutout (13) right muffler clamp