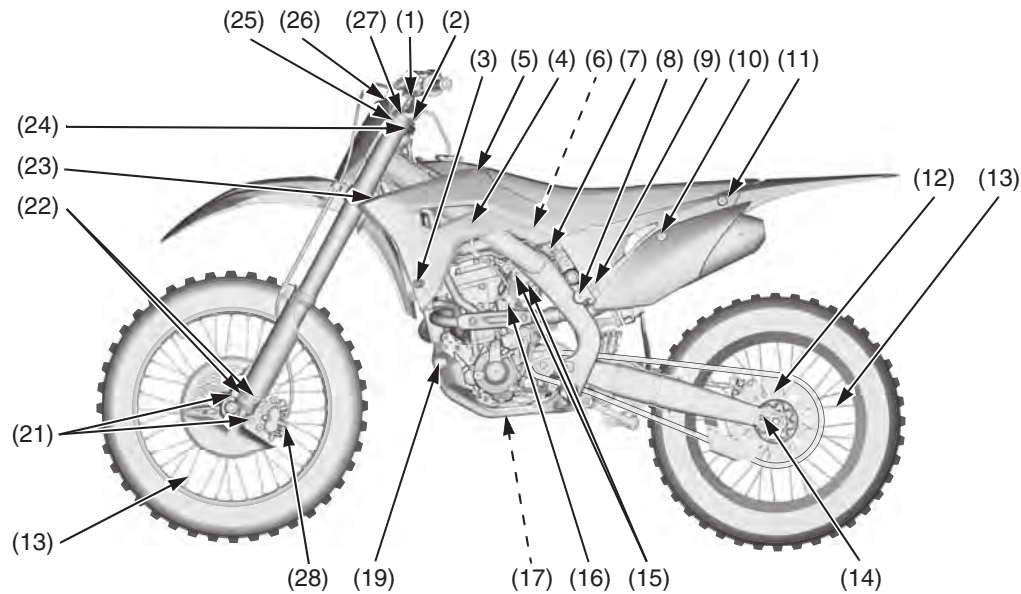
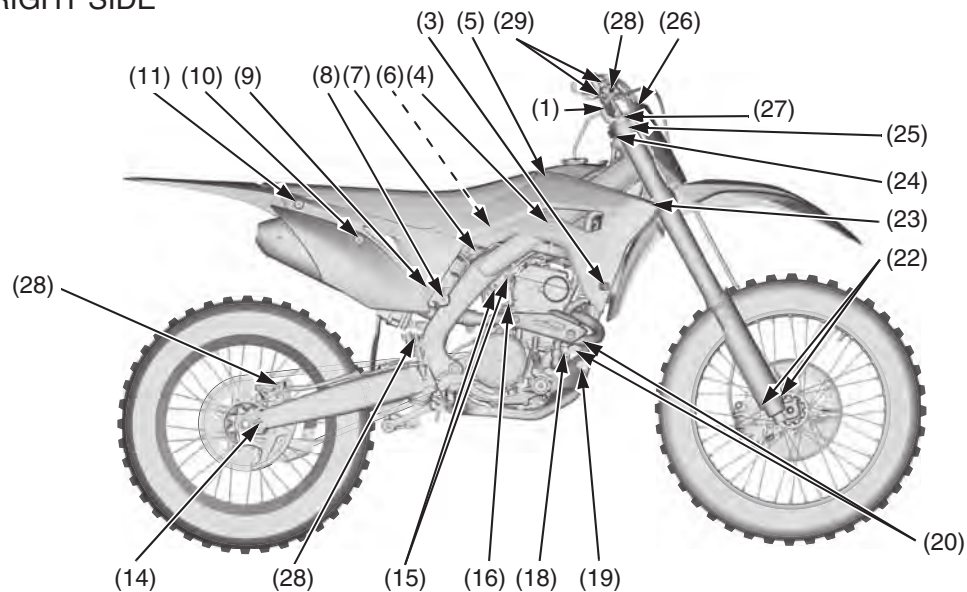


Torque Specifications

LEFT SIDE



RIGHT SIDE



FRAME

Item	Torque			Remarks		
	lbf-ft	N-m	kgf-m			
1	Handlebar upper holder bolts	16	22	2.2		
2	Steering stem nut	80	108	11.0		
3	Shroud A bolts	7	10	1.0		
4	Shroud B bolts	7	10	1.0		
5	Shroud C bolts	3.8	5.2	0.5		
6	Seat support base mounting bolts	7	10	1.0		
7	Subframe bolts (upper)	24	32	3.3		
8	Subframe bolts (lower)	36	49	5.0		
9	Air cleaner housing cover bolts	7	10	1.0		
10	Side cover bolts	7	10	1.0		
11	Seat mounting bolts	19	26	2.7		
12	Driven sprocket nuts	24	32	3.3	NOTE 1	
13	Spokes	(front)	2.7	3.7	0.4	
		(rear)	2.7	3.7	0.4	
14	Chain adjuster lock nuts	20	27	2.8	NOTE 2	
15	Cylinder head hanger plate bolts	24	32	3.3		
16	Cylinder head hanger bolts	40	54	5.5		
17	Engine guard B bolt/washer	7	10	1.0		
18	Front engine hanger nut	40	54	5.5		
19	Engine guard A bolts/washers	7	10	1.0		
20	Front engine hanger plate nuts	19	26	2.7		
21	Disc cover socket bolts	10	13	1.3		
22	Fork protector socket bolts	5.2	7	0.7	NOTE 3	
23	Fork bridge lower pinch bolts	15	20	2.0		
24	Fork bridge upper pinch bolts	16	22	2.2		
25	Handlebar lower holder nuts	32	44	4.5	NOTE 1	
26	Number plate bolts	7	10	1.0		
27	Fork air pressure release screw	1.0	1.3	0.1		
28	Brake hose oil bolts	25	34	3.5		
29	Front brake master cylinder holder bolts	7.3	9.9	1.0		

NOTES: 1. U-nut
2. UBS nut
3. Apply a locking agent to the threads.

(cont'd)