

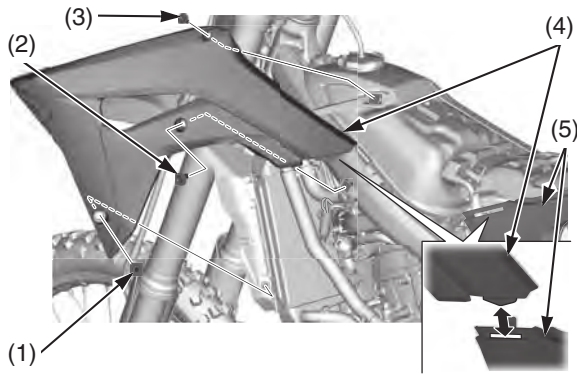
# Fuel Tank (CRF250R)

Refer to *Important Safety Precautions* on page 23.

## Removal

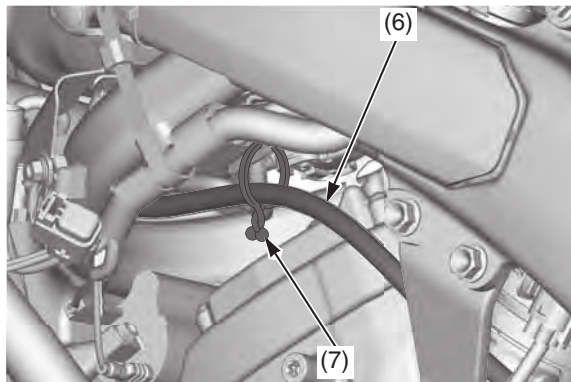
1. Remove the seat (page 33).
2. Remove the shroud A bolt (1), shroud B bolt (2) and shroud C bolt (3).
3. Slide the shroud (4) toward the up to separate from the air cleaner housing cover (5), and then remove the shroud.

The right and left shrouds can be removed in the same manner.



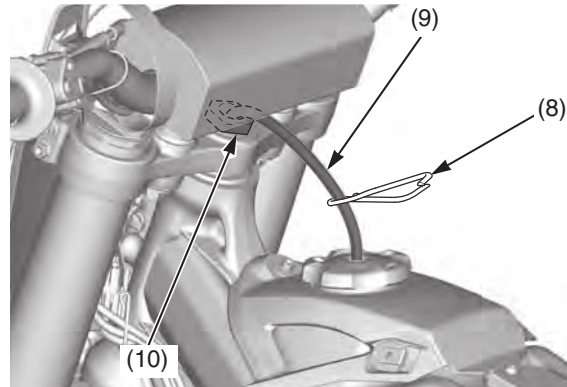
- (1) shroud A bolt  
(2) shroud B bolt  
(3) shroud C bolt  
(4) shroud  
(5) air cleaner housing cover

4. Disconnect the overflow hose (6) from the clamp (7).



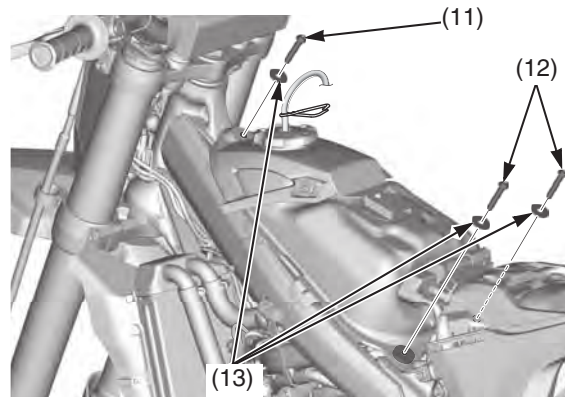
- (6) overflow hose  
(7) clamp

5. Install a hose clamp (8) to the breather tube (9) and set the hose clamp securely.
6. Pull the breather tube out of steering stem nut (10).



- (8) hose clamp  
(9) breather tube  
(10) steering stem nut

7. Remove the fuel tank A bolt (11), B bolts (12) and washers (13).



- (11) fuel tank A bolt  
(12) fuel tank B bolts  
(13) washers

8. Lift the fuel tank (14) out of the frame and hang it to the left of the frame. Check the fuel tank stopper cable (15) for deterioration, kinks or other damage.

Do not support the fuel tank by the fuel feed hose (16).

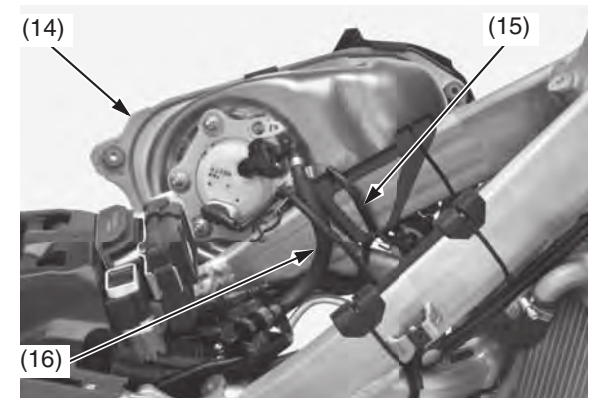
## NOTICE

The fuel tank is made of titanium material. Since the fuel tank has not been painted, it might be discolored with mud and dust. To remove mud or dust, use a sponge or soft cloth and a stainless steel kitchen detergent, then rinse well clean water. After washing, rinse with plenty of water and dry with a clean cloth.

## WARNING

Gasoline is highly flammable and explosive. You can be burned or seriously injured when handling fuel.

- Stop the engine and keep heat, sparks and flame away.
- Handle fuel only outdoors.
- Wipe up spills immediately.



- (14) fuel tank  
(15) fuel tank stopper cable  
(16) fuel feed hose