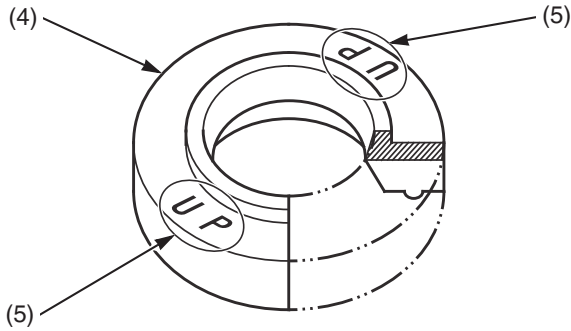


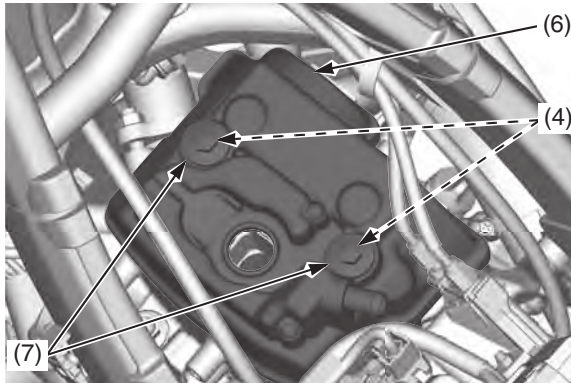
Valve Clearance

3. Check that the rubber seals (4) are in good condition, replace them if necessary. Install the rubber seals onto the cylinder head cover with the "UP" marks (5) facing up.



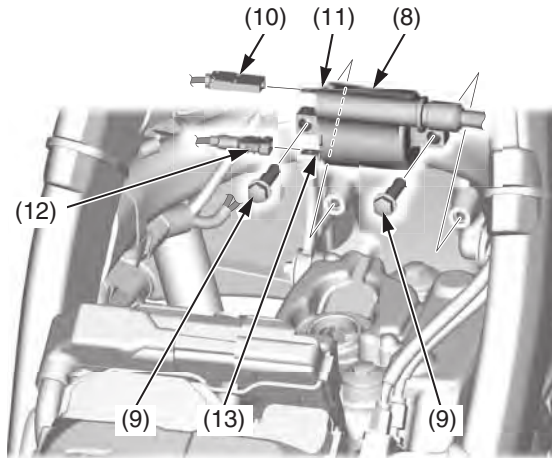
- (4) rubber seals
- (5) "UP" marks

4. Install the cylinder head cover (6) and tighten the cylinder head cover socket bolts (7) with the rubber seals (4) to the specified torque: 7 lbf-ft (10 N·m, 1.0 kgf·m)



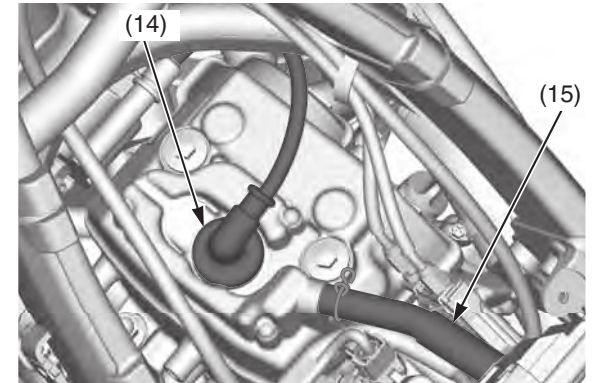
- (4) rubber seals
- (6) cylinder head cover
- (7) cylinder head cover socket bolts

5. Install the ignition coil (8) and tighten the ignition coil bolts (9) to the specified torque: 7 lbf-ft (10 N·m, 1.0 kgf·m) Connect the ignition coil A connector (10) to the blue terminal (11). Connect the ignition coil B connector (12) to the black terminal (13).



- (8) ignition coil
- (9) ignition coil bolts
- (10) ignition coil A connector
- (11) blue terminal
- (12) ignition coil B connector
- (13) black terminal

6. Install the spark plug (page 81).
7. Connect the spark plug cap (14) and breather tube (15).



- (14) spark plug cap
- (15) breather tube

8. Install the fuel tank and seat (pages 33, 35, 38).