

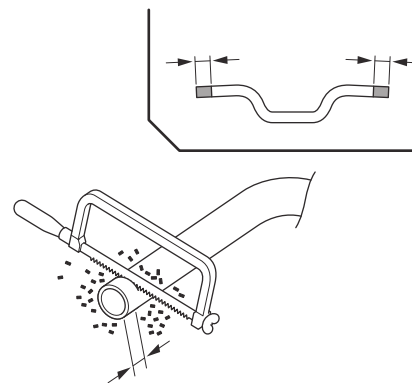
# Personal Fit Adjustments

Position chart

Handlebar position	Handlebar lower holders position	Handlebar lower holders
Forward 1 in (26 mm)	Front holes of fork bridge	No change
Forward 0.6 in (16 mm)	Front holes of fork bridge	Rotating 180 degrees
Standard	Rear holes of fork bridge	No change
Backward 0.4 in (10 mm)	Rear holes of fork bridge	Rotating 180 degrees

Refer to an official Honda Service Manual (page 186) for installation instructions. Be sure to check control cable and wiring harness routing after the adjustment.

- Handlebar width can be trimmed with a hacksaw to better suit your particular shoulder width and riding preference. Think this through carefully and cut off just a small amount at a time from both sides equally. It is obviously much easier to make the handlebar narrower than it is to add material.



- Chamfer the edges to remove burrs and other irregularities or roughness after sawing the handlebar.
- An alternate handlebar shape, through varying rise or rearward sweep dimensions, will provide further adjustment to riding position and may better suit your particular body size or riding style. Each of the ergonomic dimensions of the machine were determined to suit the greatest possible number of riders based on an average size rider.