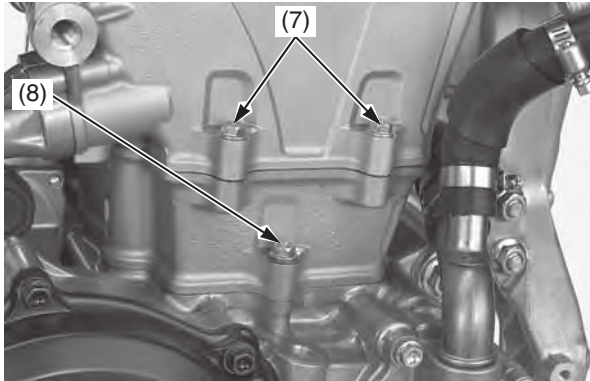


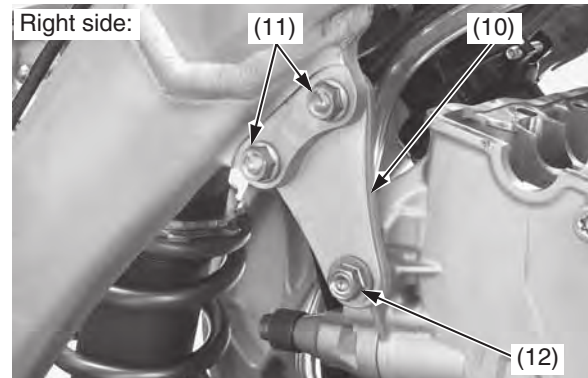
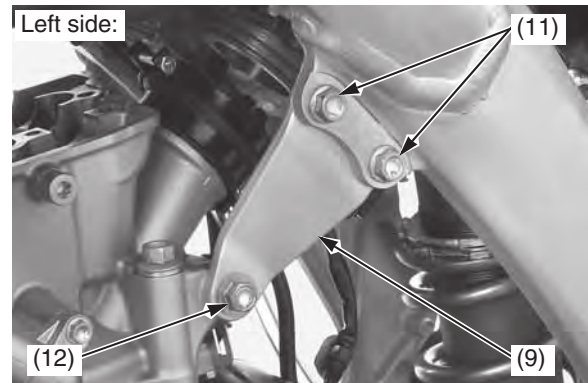
Piston/Piston Rings/Piston Pin

5. Install the cylinder head A bolts (7) and tighten it to the specified torque:
7 lbf·ft (10 N·m, 1.0 kgf·m)
6. Tighten the cylinder bolt (8) to the specified torque:
7 lbf·ft (10 N·m, 1.0 kgf·m)



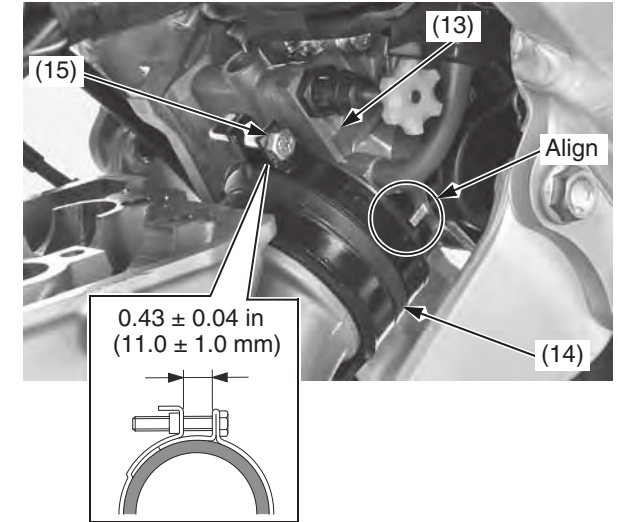
(7) cylinder head A bolts
(8) cylinder bolt

7. Install the left cylinder head hanger plate (9) and right cylinder head hanger plate (10), then loosely install the cylinder head hanger plate bolts (11) and cylinder head hanger bolts (12). Tighten the cylinder head hanger bolts and cylinder head hanger plate bolts to the specified torque:
cylinder head hanger bolts:
40 lbf·ft (54 N·m, 5.5 kgf·m)
cylinder head hanger plate bolts:
24 lbf·ft (32 N·m, 3.3 kgf·m)



(9) left cylinder head hanger plate
(10) right cylinder head hanger plate
(11) cylinder head hanger plate bolts
(12) cylinder head hanger bolts

8. Install the throttle body (13) to the insulator (14) by aligning the tab of the throttle body with the groove of the insulator and tighten the insulator band screw (15) so the distance between the band ends is 0.43 ± 0.04 in (11.0 ± 1.0 mm).



(13) throttle body
(14) insulator

(15) insulator band screw