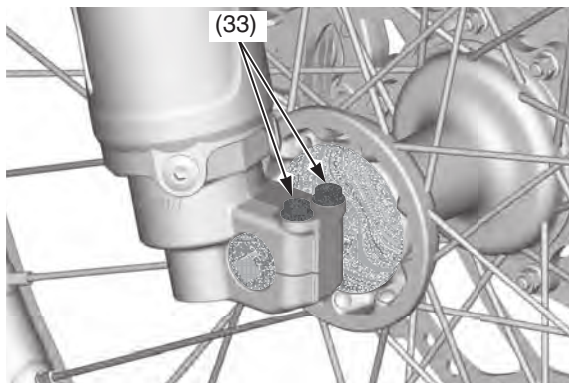


Suspension

18. While keeping the forks parallel, alternately tighten the right axle pinch bolts (33) to the specified torque:
15 lbf-ft (20 N·m, 2.0 kgf·m)

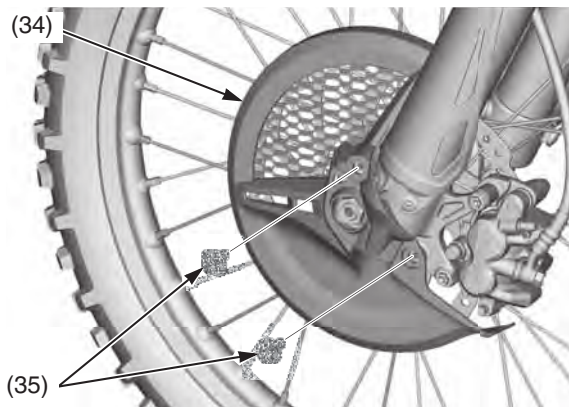


(33) right axle pinch bolts

NOTICE

To avoid damage when torquing the axle pinch bolts, be sure the axle is seated firmly onto the left fork leg clamp inner surface.

19. Install the disc cover (34) and tighten the disc cover socket bolts (35) to the specified torque:
10 lbf-ft (13 N·m, 1.3 kgf·m)



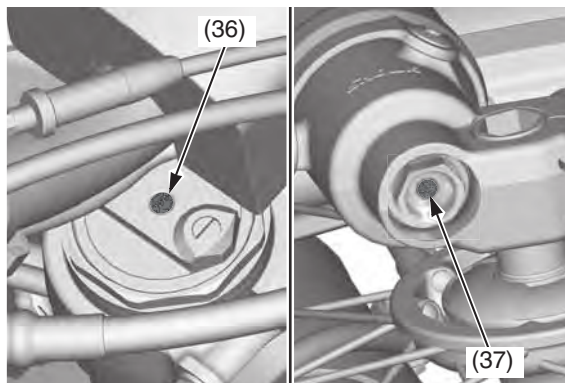
(34) disc cover

(35) disc cover socket bolts

20. Turn the compression damping (36) and rebound damping (37) adjuster screws back to their original settings.

The procedure is the same for the both right and left fork legs.

Refer to *Front Suspension Damping* on page 146.



(36) compression damping adjuster
(37) rebound damping adjuster

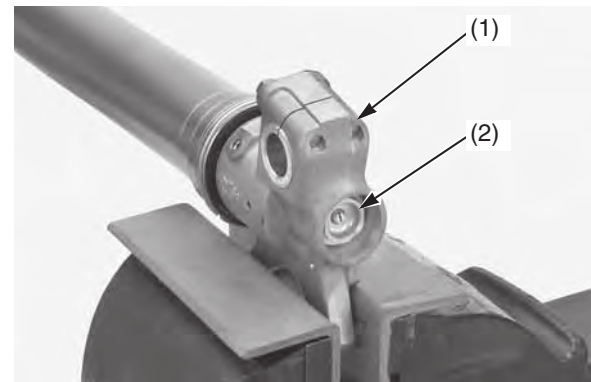
Fork Damper Disassembly

1. Remove the front suspension (page 103).
2. Disassemble the fork outer tube (page 105).
3. Place the lower end (axle holder) (1) of the slider in a vise with a piece of wood or soft jaws to avoid damage.

NOTICE

Over-tightening the vise can damage the axle holder.

4. Loosen the fork center bolt (2).



(1) axle holder

(2) fork center bolt

5. Pull up the fork outer tube slowly and temporarily tighten the fork damper assembly (page 106). Push the outer tube until the fork center bolt lock nut (3) is fully exposed and install the piston base (4) or mechanic's stopper tool between the axle holder (1) and fork center bolt lock nut.

• Piston base

07958-2500001