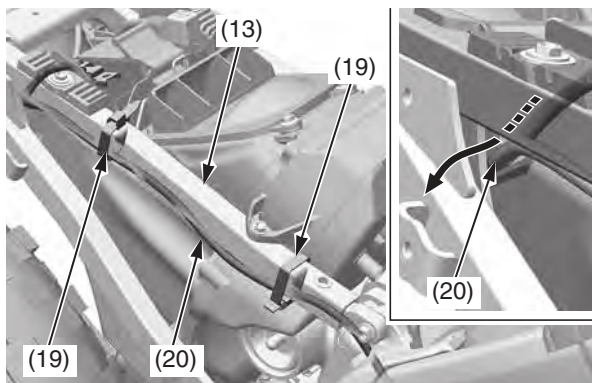
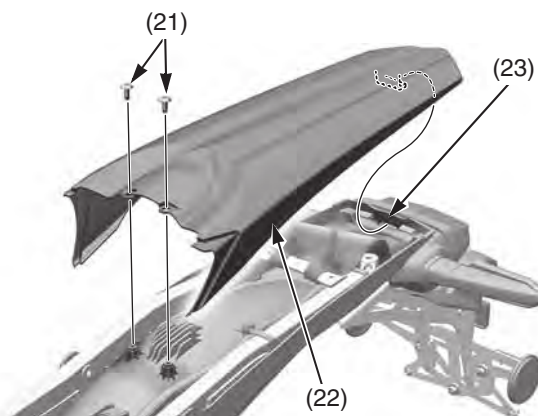


10. Remove the negative (-) battery cable bands (19), then remove the negative (-) battery cable (20) from the subframe (13).



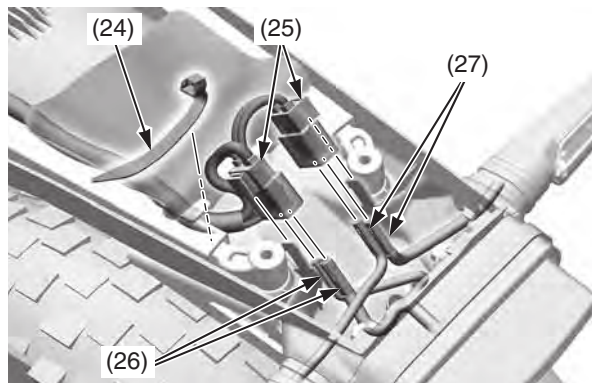
(13) subframe
(19) cable bands
(20) negative (-) battery cable

11. Remove the rear fender mounting screws (21). Remove the rear fender (22) while releasing the hooks from the rear fender B (23).



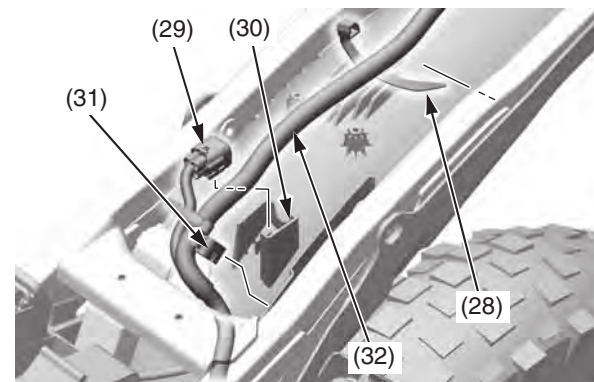
(21) screws
(22) rear fender
(23) rear fender B

12. Remove the wire harness band (24). Remove the connector covers (25) from the rear fender stay. Disconnect the license light/taillight/brake light connectors (26). Disconnect the turn signal light connectors (27).



(24) wire harness band
(25) connector covers
(26) license light/taillight/brake light connectors
(27) turn signal connectors

13. Remove the wire harness band (28). Release the DLC connector (29) from the rear fender groove (30). Remove the wire harness clip (31) from the rear fender rib, then release the wire harness (32).



(28) wire harness band
(29) DLC connector
(30) groove
(31) wire harness clip
(32) wire harness

(cont'd)