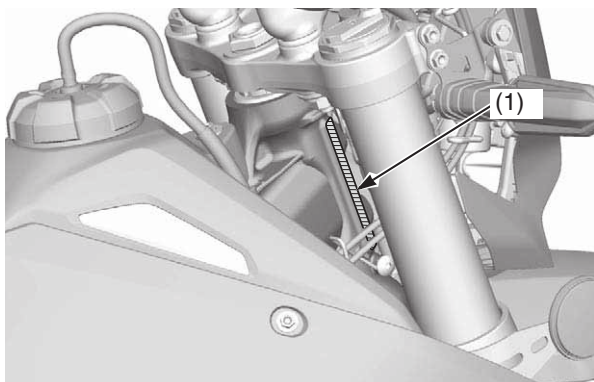


Vehicle Identification

Serial Numbers

The VIN and engine serial number are required when you register your motorcycle. They may also be required when ordering replacement parts. You may record these numbers in the Quick Reference section at the rear of this manual.

The VIN (vehicle identification number) (1) is stamped on the right side of the steering head and also appears on the Safety Certification Label attached to the right side of the frame.

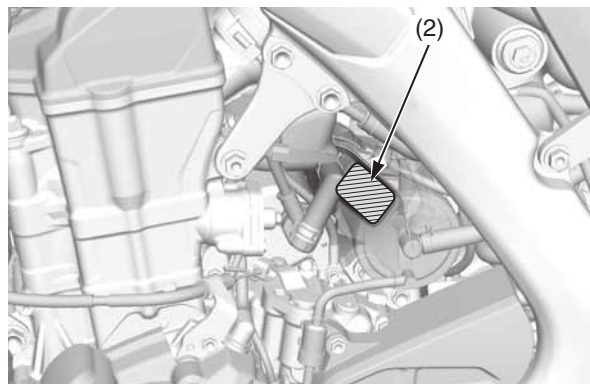


(1) VIN



(1) VIN

The engine number (2) is stamped on the right crankcase.



(2) engine number