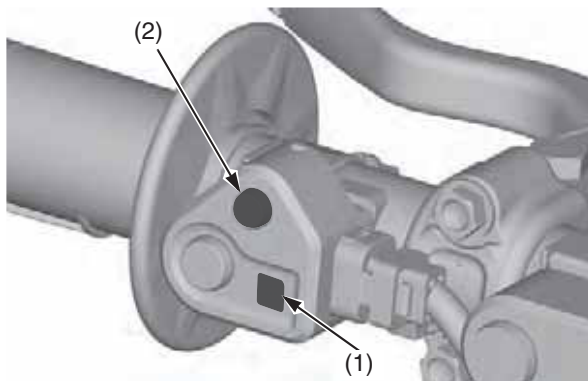


Engine Mode & Launch Control System Indicator & Torque Control Indicator

Engine Mode Indicator

The engine mode indicator (blue) (1) is located under the engine mode select button (2). The engine mode indicator indicates the currently selected mode by blinking the mode number once when the engine is started.



(1) engine mode indicator (blue)
(2) engine mode select button

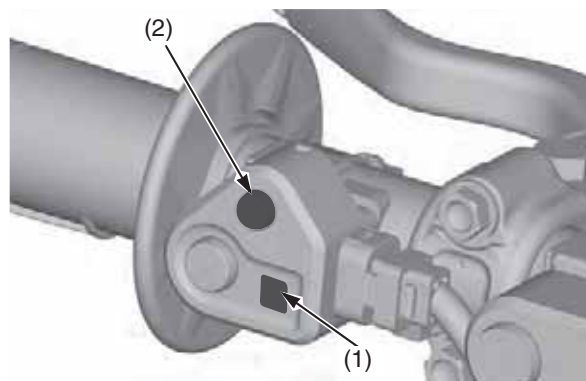
The engine mode indicator indicates a selected mode when you operate the engine mode select button (page 140).

If the engine mode indicator stays on or does not come on when it should, have your dealer check it for problems.

Launch Control System Indicator

The launch control system indicator (purple) (1) is located under the engine mode select button (2). The launch control system indicator indicates the currently selected level by blinking the level number while launch control system goes into standby.

The launch control system indicator (purple) comes on while the system is operating.

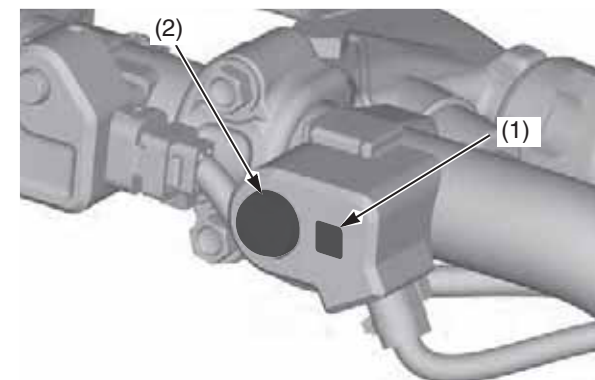


(1) launch control system indicator (purple)
(2) engine mode select button

If the launch control system indicator does not come on when it should, have your dealer check it for problems.

Torque Control Indicator

The Torque Control indicator (green) (1) is located to the right side of the Torque Control button (2) on the left side of the handlebar. Torque Control indicator (green) indicates the currently selected mode by blinking the mode number thrice when the engine is started. The Torque Control indicator (green) comes on while the system is operating.



(1) Torque Control indicator (green)
(2) Torque Control button

The Torque Control indicator indicates a selected mode when you operate the Torque Control button (page 141).

If the Torque Control indicator does not come on when it should, have your dealer check it for problems.