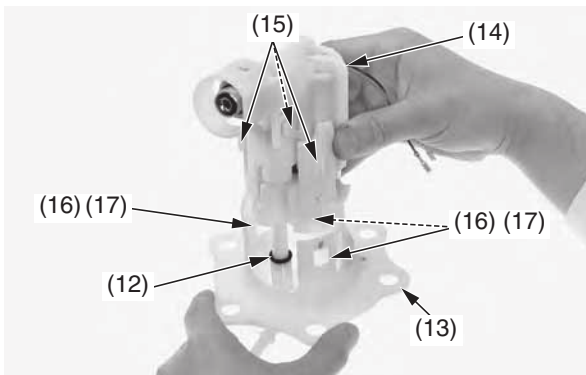


## Fuel System (CRF450RX)

- Apply small amount of engine oil to a new O-ring (12).  
Install a new O-ring to the fuel pump base (13).
- Install the fuel pump unit holder assembly (14) into the fuel pump base while aligning its hooks (15) with the grooves (16) in the fuel pump base tabs (17).  
If the gap between the hooks and tabs is more than 0.04 in (1.0 mm), replace the fuel pump unit.

Be sure that the hooks are completely seated.

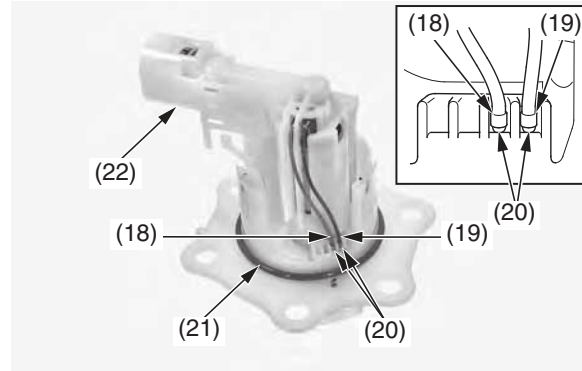


- (12) O-ring (new)                      (15) hooks  
(13) fuel pump base                  (16) grooves  
(14) fuel pump unit holder assembly (17) tabs

- Connect the fuel pump red (18) and black (19) wire terminals to the fuel pump base terminals (20). Push the wire terminals until they stop as shown.

Be careful not to damage the wires.

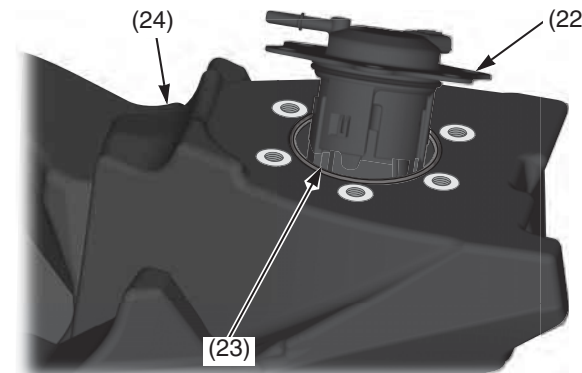
- Apply 0.02 oz (0.5 g) maximum of engine oil to a new O-ring (21).  
Install a new O-ring onto the fuel pump unit (22).



- (18) red wire terminal                  (21) O-ring (new)  
(19) black wire terminal              (22) fuel pump unit  
(20) fuel pump base terminals

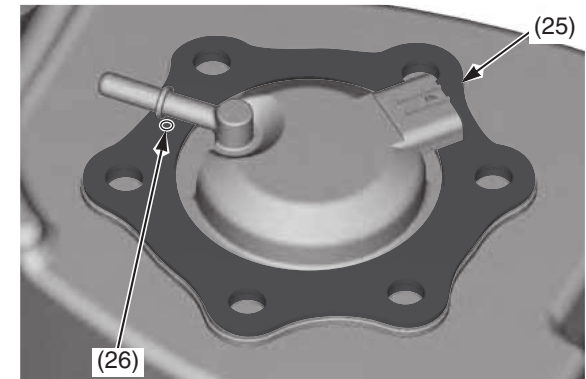
- Apply small amount of engine oil to a new O-ring (23).  
Install a new O-ring into the fuel tank groove.
- Install the fuel pump unit (22) into the fuel tank (24) with its hose joint facing forward.

Be careful not to damage the fuel pump unit.



- (22) fuel pump unit  
(23) O-ring (new)  
(24) fuel tank

- Install the fuel pump plate (25) with its identification mark (26) facing forward the front side and facing up.



- (25) fuel pump plate  
(26) identification mark

(cont'd)