

Fuel System (CRF450R/RWE)

Refer to *Important Safety Precautions* on page 23.

Fuel

Type	Unleaded
Pump Octane Number	91 (or higher)

Use only unleaded fuel in your CRF. If you ride your CRF in a country where leaded fuel might be available, take precautions to use only unleaded fuel.

Your engine is designed to use any unleaded gasoline that has a pump octane number of 91 or higher. Gasoline pumps at service stations normally display the pump octane number. For information on the use of oxygenated fuels, see page 178.

Use of lower octane gasoline can cause persistent “pinging” or “spark knock” (a louder rapping noise) which, if severe, can lead to engine damage. (Light pinging experienced while operating under a heavy load, such as climbing a hill, is no cause for concern.)

If pinging or spark knock occurs at a steady engine speed under normal load, change brands of gasoline. If pinging or spark knock persists, consult your dealer.

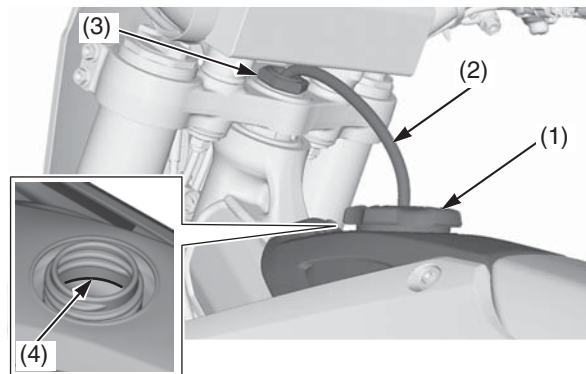
Never use stale or contaminated gasoline. Avoid getting dirt, dust or water in the fuel tank.

Refueling Procedure

1. To open the fuel fill cap (1), pull the breather tube (2) out of the steering stem nut (3). Turn the fuel fill cap counterclockwise and remove it.
2. Add fuel until the level reaches the bottom of the filler neck (4).

Fuel Tank Capacity: 1.66 US gal (6.3 ℓ)

- Be careful not to damage the fuel pump while filling the fuel tank.
- Avoid overfilling the tank. There should be no fuel in the filler neck.



(1) fuel fill cap
(2) breather tube

(3) steering stem nut
(4) filler neck bottom

⚠ WARNING

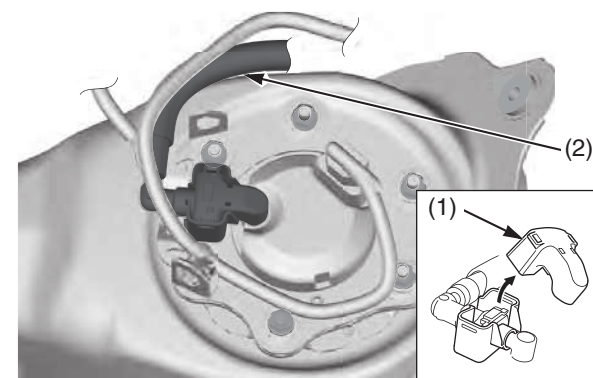
Gasoline is highly flammable and explosive. You can be burned or seriously injured when handling fuel.

- Stop the engine and keep heat, sparks and flame away.
- Handle fuel only outdoors.
- Wipe up spills immediately.

3. Close the fuel fill cap and insert the breather tube into the steering stem nut.

Fuel Line Inspection

1. Hang the fuel tank to the left side of the frame (page 35).
2. Remove the fuel quick connect fitting cover (1).
3. Check the fuel line (2) for cracks, deterioration, damage or leakage. Replace the fuel line, if necessary.



(1) fuel quick connect fitting cover
(2) fuel line

4. Install the fuel quick connect fitting cover.
5. Install the fuel tank (page 36).