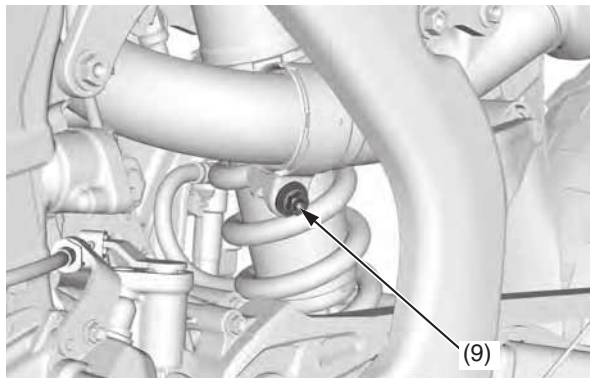
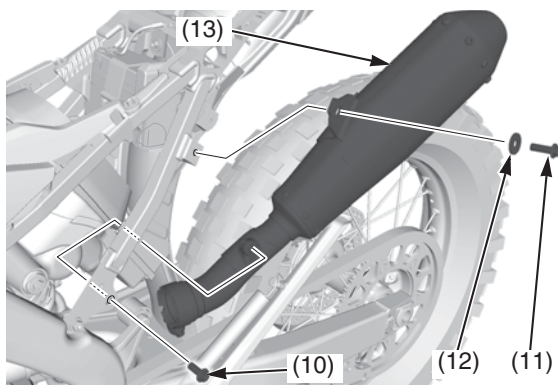


- Loosen the left muffler clamp bolt (9).



(9) left muffler clamp bolt

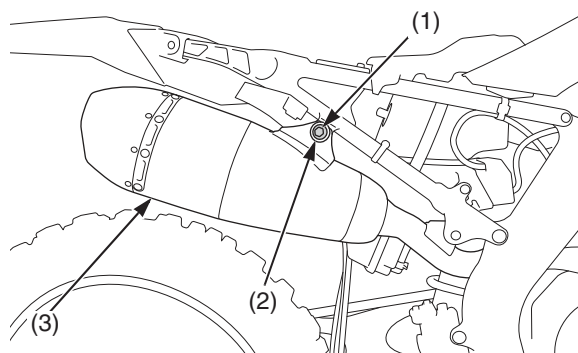
- Remove the left muffler mounting A bolt (10), B bolt (11), washer (12) and left muffler (13).



(10) left muffler mounting A bolt
 (11) left muffler mounting B bolt
 (12) washer
 (13) left muffler

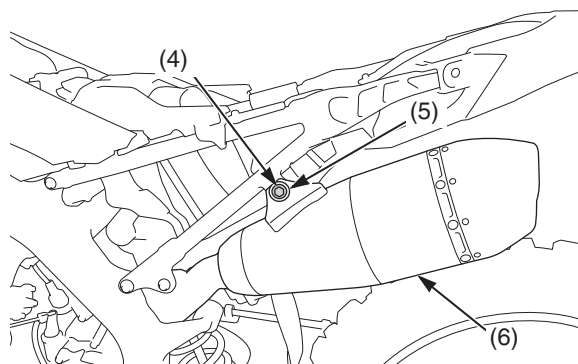
(CRF450RWE)

- Remove the seat (page 34).
- Remove the side covers and air cleaner housing covers (page 126).
- Remove the right muffler mounting B bolt (1), washer (2) and right muffler (3).



(1) right muffler mounting B bolt
 (2) washer
 (3) right muffler

- Remove the left muffler mounting B bolt (4), washer (5) and left muffler (6).

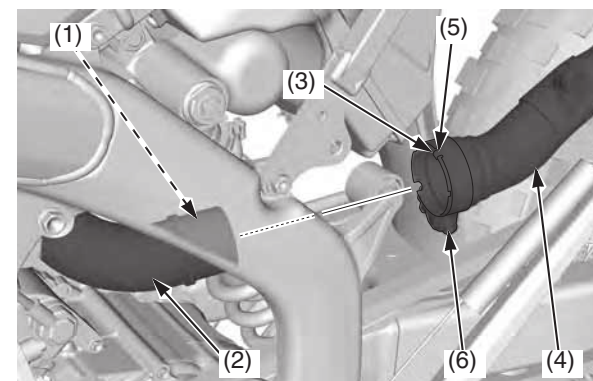


(4) left muffler mounting B bolt
 (5) washer
 (6) left muffler

Muffler Installation

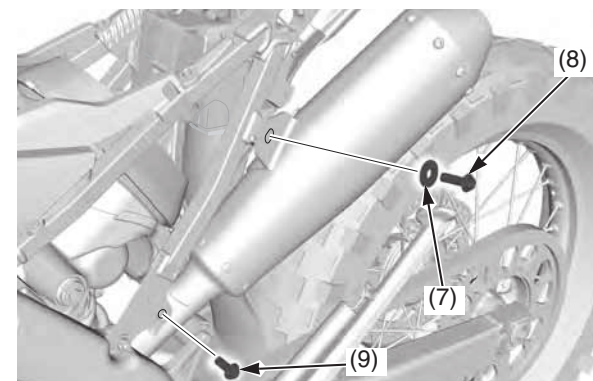
(CRF450R/RX)

- Remove the current gasket (1).
- Install a new gasket onto the exhaust pipe (2).
- Align the cutout (3) of the left muffler (4) with the tab (5) of the left muffler clamp (6).
- Install the left muffler.



(1) gasket
 (2) exhaust pipe
 (3) cutout
 (4) left muffler
 (5) tab
 (6) left muffler clamp

- Install the washer (7), left muffler mounting B bolt (8) and A bolt (9).



(7) washer
 (8) left muffler mounting B bolt
 (9) left muffler mounting A bolt