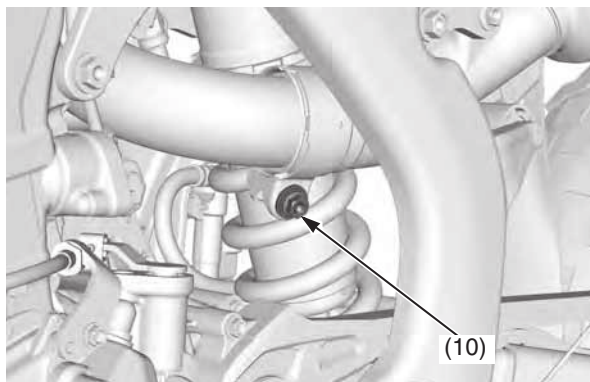


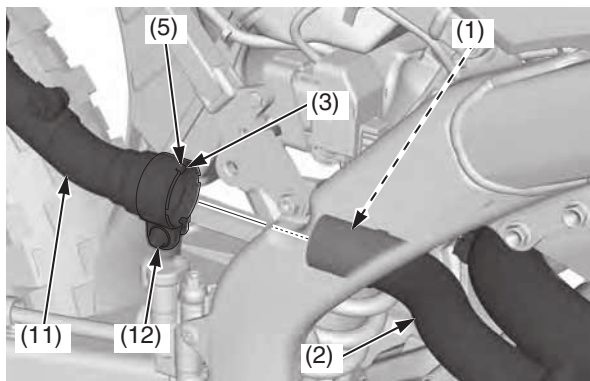
Exhaust Pipe/Muffler

6. Tighten the left muffler clamp bolt (10) to the specified torque:
15 lbf-ft (20 N·m, 2.0 kgf·m)



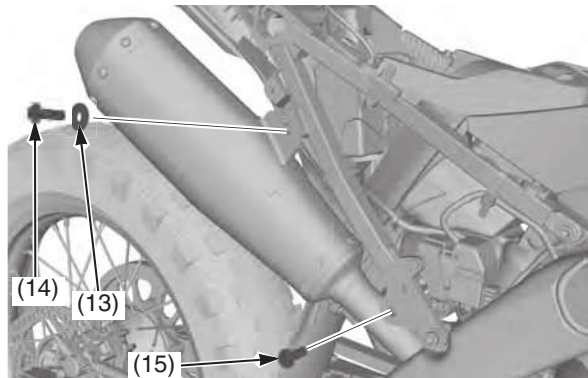
(10) left muffler clamp bolt

7. Remove the current gasket (1).
8. Install a new gasket onto the exhaust pipe (2).
9. Align the cutout (3) of the right muffler (11) with the tab (5) of the right muffler clamp (12).
10. Install the right muffler (11).



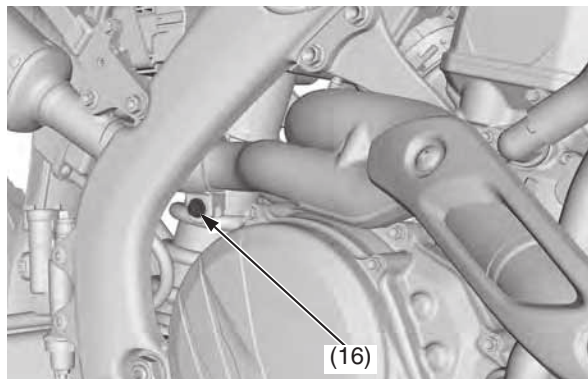
(1) gasket
(2) exhaust pipe
(3) cutout
(5) tab
(11) right muffler
(12) right muffler clamp

11. Install the washer (13), right muffler mounting B bolt (14) and A bolt (15).



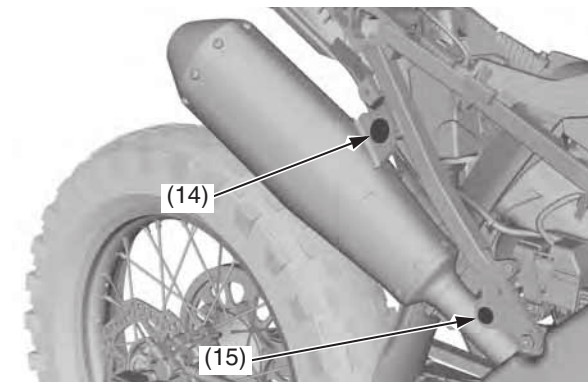
(13) washer
(14) right muffler mounting B bolt
(15) right muffler mounting A bolt

12. Tighten the right muffler clamp bolt (16) to the specified torque:
15 lbf-ft (20 N·m, 2.0 kgf·m)



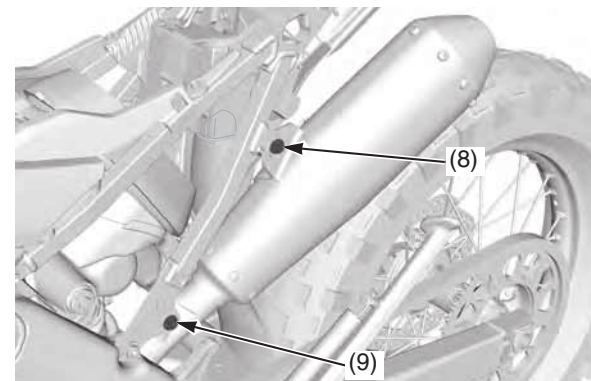
(16) right muffler clamp bolt

13. Tighten the right muffler mounting B bolt (14) and A bolt (15) to the specified torque:
19 lbf-ft (26 N·m, 2.7 kgf·m)



(14) right muffler mounting B bolt
(15) right muffler mounting A bolt

14. Tighten the left muffler mounting B bolt (8) and left muffler mounting A bolt (9) to the specified torque:
19 lbf-ft (26 N·m, 2.7 kgf·m)



(8) left muffler mounting B bolt
(9) left muffler mounting A bolt