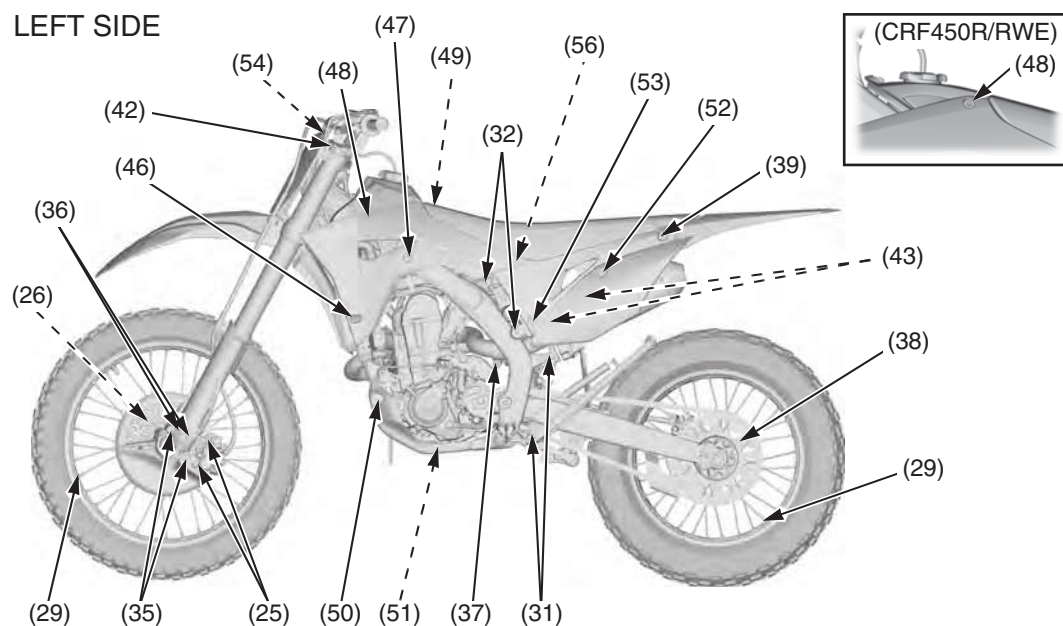
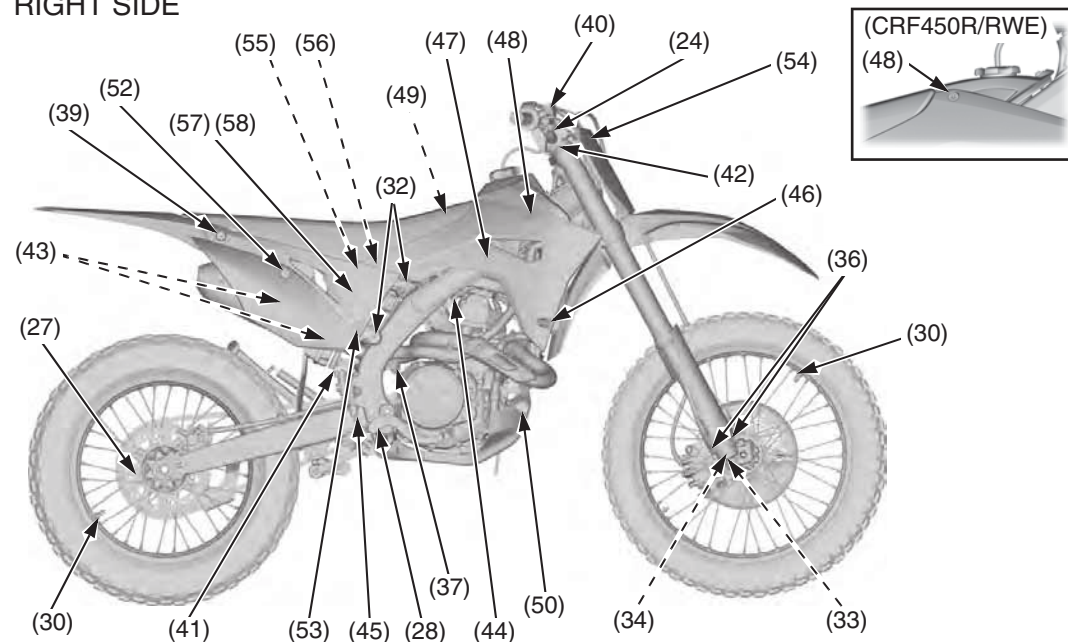


Torque Specifications

LEFT SIDE



RIGHT SIDE



FRAME

Item	Torque			Remarks		
	lbf-ft	N-m	kgf-m			
24	Brake hose oil bolts	25	34	3.5		
25	Front brake caliper mounting bolts					
26	Front brake disc nuts	12	16	1.6	NOTE 1	
27	Rear brake disc nuts	12	16	1.6	NOTE 1	
28	Brake pedal pivot bolt	27	36	3.7	NOTE 4	
29	Spokes	(front)	2.7	3.7	0.4	
		(rear)	2.7	3.7	0.4	
30	Rim locks	9	12	1.2		
31	Drive chain roller	(upper)	9	12	1.2	NOTE 4
		(lower)	9	12	1.2	NOTE 1
32	Subframe bolts	(upper)	24	32	3.3	
		(lower)	36	49	5.0	
33	Fork center bolt	51	69	7.0		
34	Fork center bolt lock nut	21	28	2.9		
35	Disc cover bolts	10	13	1.3		
36	Fork protector socket bolts	5.2	7.0	0.7	NOTE 4	
37	Left/right muffler clamp bolt (CRF450R/RX)	15	20	2.0		
38	Driven sprocket nuts	24	32	3.3	NOTE 1	
39	Seat mounting bolts	19	26	2.7		
40	Front brake reservoir cap screws	0.7	1.0	0.1		
41	Rear brake reservoir cap bolts	0.7	1.0	0.1		
42	Fork air pressure release screw	1.0	1.3	0.1		
43	Right/left muffler mounting bolt A	19	26	2.7		
	Right/left muffler mounting bolt B	19	26	2.7		
44	Throttle cable adjuster lock nuts	3.0	4.0	0.4		
45	Rear master cylinder push rod lock nut	4.4	5.9	0.6		
46	Shroud A bolts	7	10	1.0		
47	Shroud B bolts	7	10	1.0		
48	Shroud C bolts	3.8	5.2	0.5		
49	Shroud D bolts	3.8	5.2	0.5		
50	Engine guard A bolts/washers	7	10	1.0		
51	Engine guard B bolt/washer	7	10	1.0		
52	Side cover bolts	7	10	1.0		
53	Air cleaner housing cover bolts	7	10	1.0		
54	Number plate bolts	7	10	1.0		
55	Air cleaner retaining bolt	1.8	2.4	0.2		
56	Seat support base mounting bolts	7	10	1.0		
57	Battery cable terminal bolt	5.2	7	0.7		
58	Start magnetic switch stay bolt	9	12	1.2		

NOTES: 1. U-nut

4. Alock bolt: replace with a new one.