

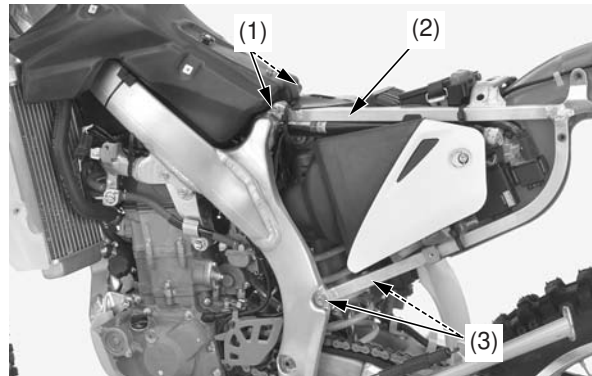
Subframe Upright Position

Installation

1. Loosen the subframe upper mounting bolts (1).
2. Loosely attach the lower ends of the subframe (2) to the mainframe while connecting the air cleaner connecting boot to the carburetor.

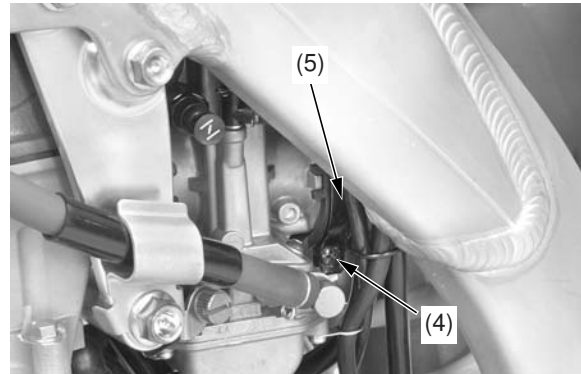
Be careful not to bend the subframe.

Install the subframe lower mounting bolts (3).
Tighten the subframe upper mounting bolts first, then tighten the subframe lower mounting bolts to the specified torque:
upper bolts: 30 N·m (3.1 kgf·m, 22 lbf·ft)
lower bolts: 49 N·m (5.0 kgf·m, 36 lbf·ft)



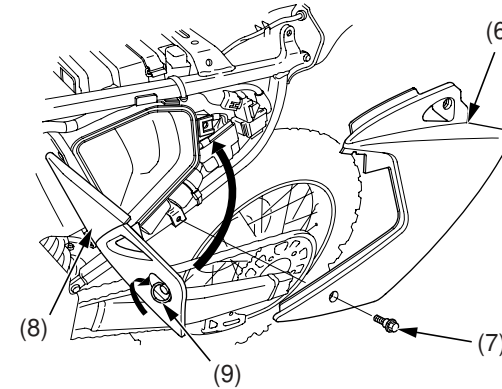
- (1) subframe upper mounting bolts
(2) subframe
(3) subframe lower mounting bolts

3. Tighten the screw (4) on the air cleaner connecting boot clamp (5).



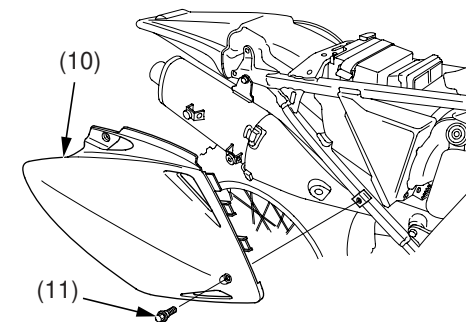
- (4) screw
(5) air cleaner connecting boot clamp

4. Install the muffler (page 64).
5. Install the left side cover (6) and left side cover bolt (7). Close the air cleaner housing cover (8) and turn the quick fastener (9) clockwise.



- (6) left side cover (8) air cleaner housing cover
(7) left side cover bolt (9) quick fastener

6. Install the right side cover (10) and right side cover bolt (11).



- (10) right side cover
(11) right side cover bolt

7. Install the seat (page 36).