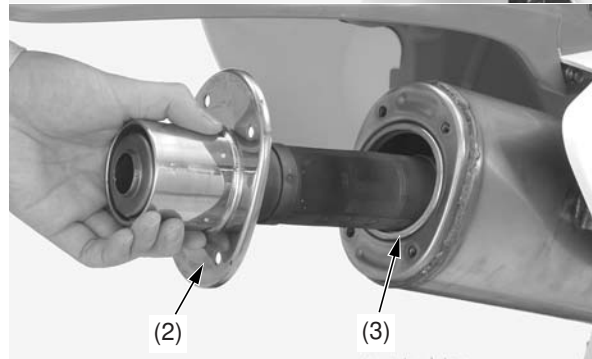
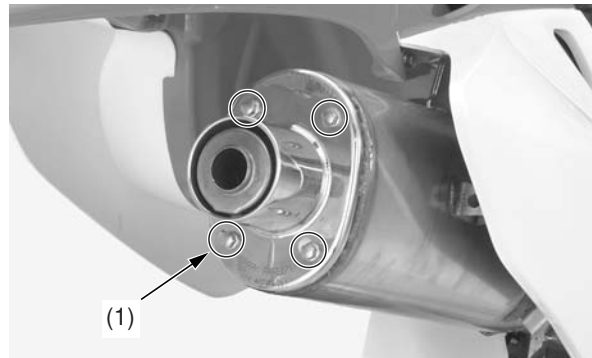


Spark Arrester

Spark Arrester Inspection

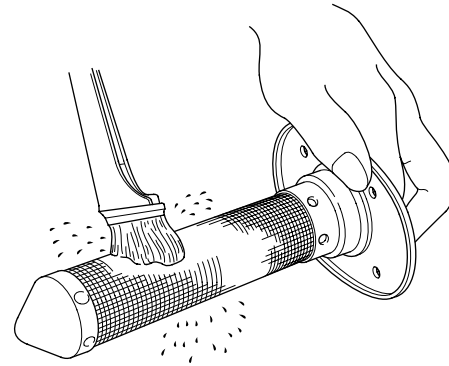
The spark arrester must be serviced every 1,600 km (1,000 mi) of running or 100 operating hours to maintain its efficiency.

1. Allow the engine and muffler to cool.
2. Remove the four bolts (1), spark arrester (2), and gasket (3) from the muffler.

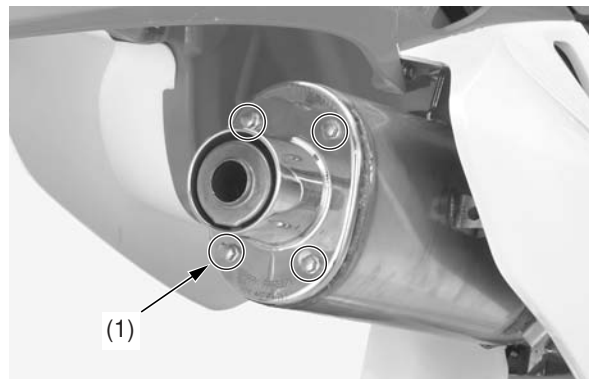


(1) bolts
(2) spark arrester
(3) gasket

3. Use a brush to remove carbon deposits from the spark arrester screen. Be careful to avoid damaging the spark arrester screen. The spark arrester must be free of breaks and holes. Replace, if necessary.



4. Install a new gasket and the spark arrester in the muffler and tighten the four bolts (1) to the specified torque:
12 N·m (1.2 kgf·m, 9 lbf·ft)



(1) bolts