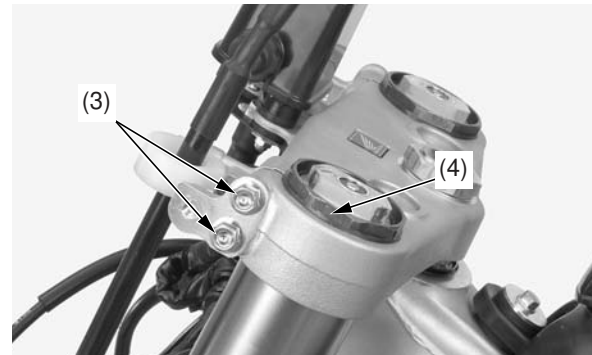


Front Suspension Adjustments

4. Loosen the top bridge pinch bolts (3).
5. Loosen the fork damper (4), using the lock nut wrench but do not remove it yet.

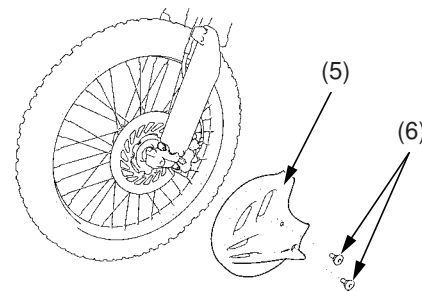
NOTICE

Do not use an adjustable wrench to loosen the fork damper: it may damage them.



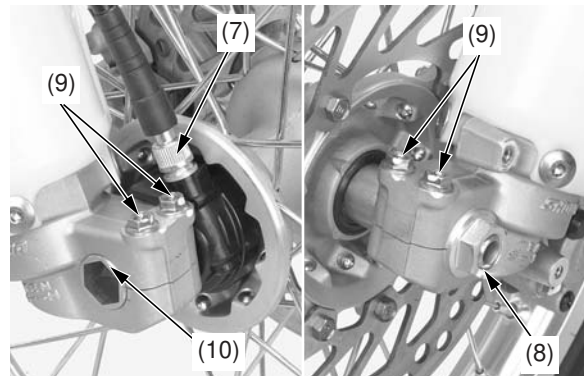
(3) top bridge pinch bolts
(4) fork damper

6. Remove the disc cover (5) by removing the two bolts (6).



(5) disc cover
(6) bolts

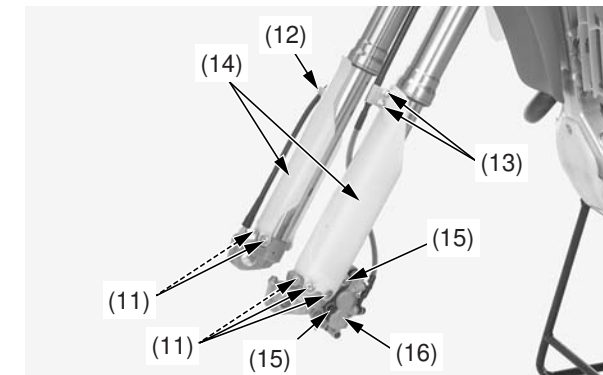
7. Remove the tripmeter cable (7) and front axle nut (8) and loosen the axle pinch bolts (9) on both fork legs.
8. Pull the front axle shaft (10) out of the wheel hub and remove the front wheel.



(7) tripmeter cable
(8) front axle nut
(9) axle pinch bolts
(10) front axle shaft

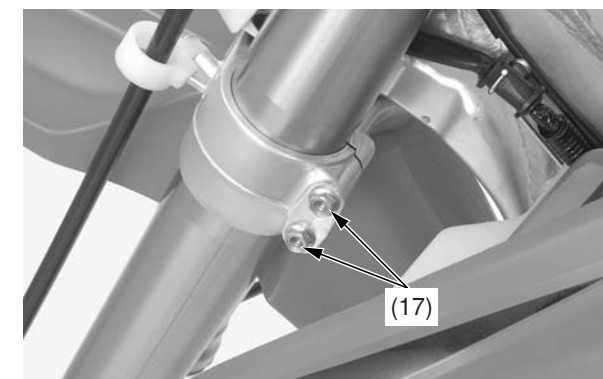
9. Remove the fork protector bolts (11), tripmeter cable clamp screws (12), brake hose clamp bolts (13) and fork protectors (14). Remove the caliper mounting bolts (15) and brake caliper (16).
The fork protector bolts and caliper mounting bolts have a locking agent applied.

Do not support the brake caliper by the brake hose. Do not operate the brake lever after the front wheel is removed. To do so will cause difficulty in fitting the brake disc between the brake pads.



(11) fork protector bolts
(12) tripmeter cable clamp screws
(13) brake hose clamp bolts
(14) fork protectors
(15) caliper mounting bolts
(16) brake caliper

10. Loosen the bottom bridge pinch bolts (17), then pull the fork legs down and out.



(17) bottom bridge pinch bolts