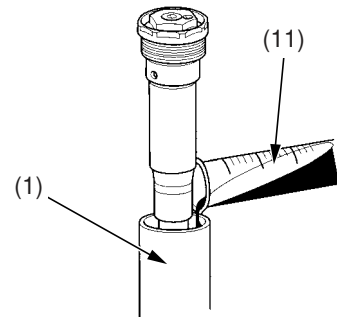


Front Suspension Adjustments

13. Pour the recommended fork oil (11) into the outer tube (1).

Recommended Oil:
Honda ULTRA CUSHION OIL SPECIAL 5W
or equivalent.

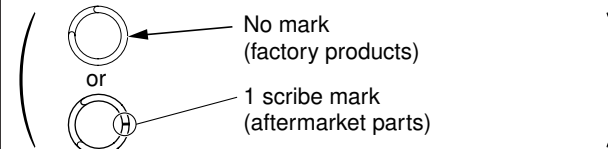


(1) outer tube

(11) fork oil

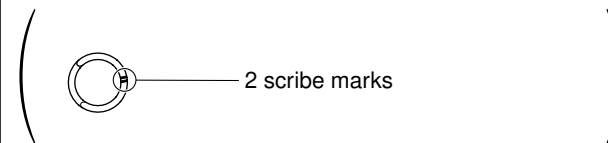
Fork Oil Capacity:

Standard (0.47 kgf/mm) Fork Spring



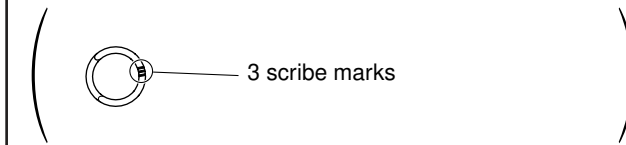
Standard oil capacity	332 cm ³ (11.2 US oz, 11.7 Imp oz)	
Maximum oil capacity	402 cm ³ (13.6 US oz, 14.2 Imp oz)	Slightly stiffer as it nears full compression.
Minimum oil capacity	306 cm ³ (10.3 US oz, 10.8 Imp oz)	Slightly softer as it nears full compression.

Optional Softer (0.45 kgf/mm) Fork Spring



Standard oil capacity	338 cm ³ (11.4 US oz, 11.9 Imp oz)	
Maximum oil capacity	407 cm ³ (13.8 US oz, 14.3 Imp oz)	Slightly stiffer as it nears full compression.
Minimum oil capacity	311 cm ³ (10.5 US oz, 10.9 Imp oz)	Slightly softer as it nears full compression.

Optional Stiffer (0.49 kgf/mm) Fork Spring



Standard oil capacity	335 cm ³ (11.3 US oz, 11.8 Imp oz)	
Maximum oil capacity	405 cm ³ (13.7 US oz, 14.3 Imp oz)	Slightly stiffer as it nears full compression.
Minimum oil capacity	309 cm ³ (10.5 US oz, 10.9 Imp oz)	Slightly softer as it nears full compression.

Be sure the oil capacity is the same in both fork legs.