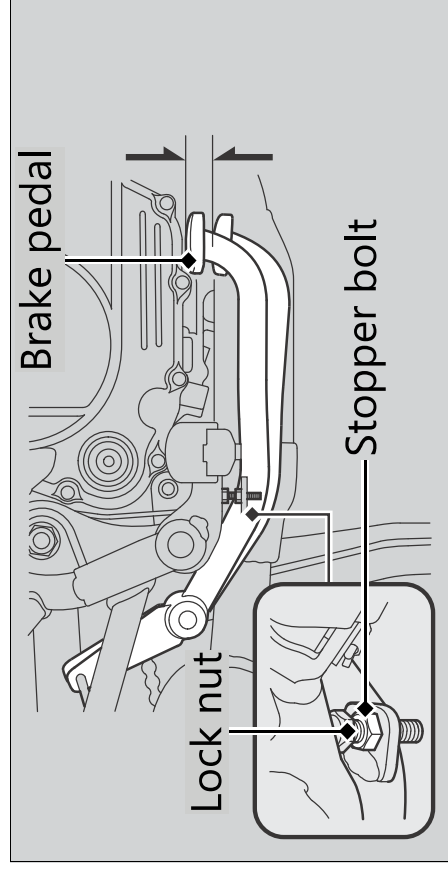


## Adjusting the Rear Brake Pedal Height

The stopper bolt is provided to allow adjustment of the pedal height.

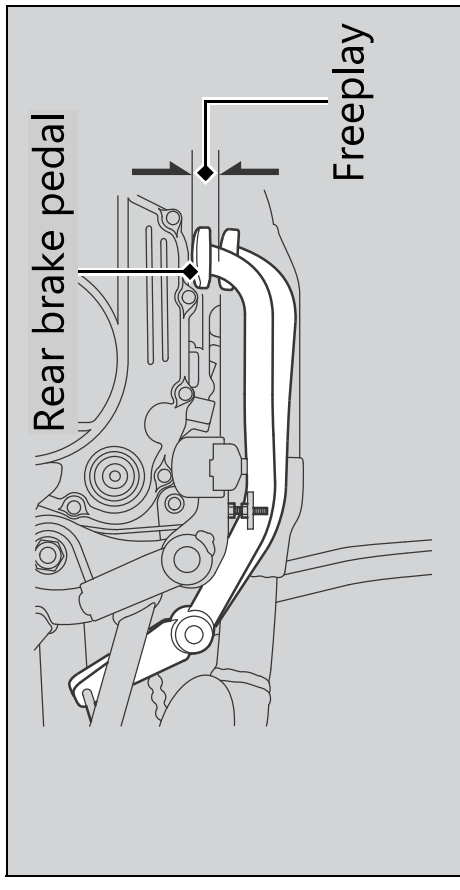
1. Place your motorcycle on its centre stand on a firm, level surface.
2. Loosen the lock nut and turn the stopper bolt.
3. Tighten the lock nut and check the freeplay.



## Inspecting the Rear Brake Pedal Freeplay

1. Place your motorcycle on its centre stand on a firm, level surface.
2. Measure the distance the rear brake pedal moves before the brake takes hold.

**Freeplay at the tip of the brake pedal:**  
20 to 30 mm (0.8 to 1.2 in)



Make sure the brake rod, brake arm, spring and fastener are in good condition.