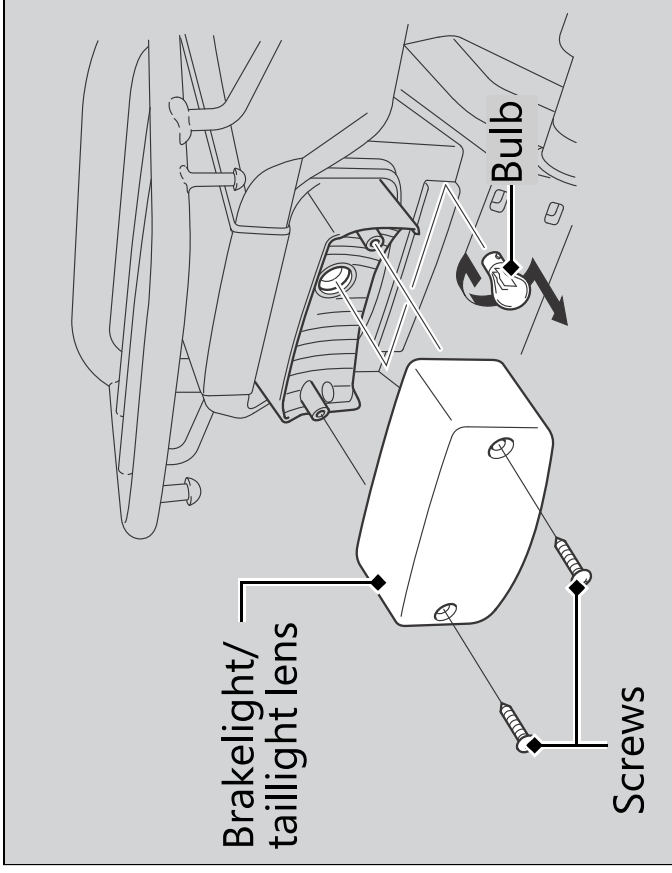


Electrical Trouble ► Burned-out Light Bulb

Brakelight/Taillight Bulb



1. Remove the brakelight/taillight lens by removing the screws.
2. Remove the bulb by slightly pressing the bulb and turn it counterclockwise.
3. Install a new bulb and parts in the reverse order of removal.

Troubleshooting