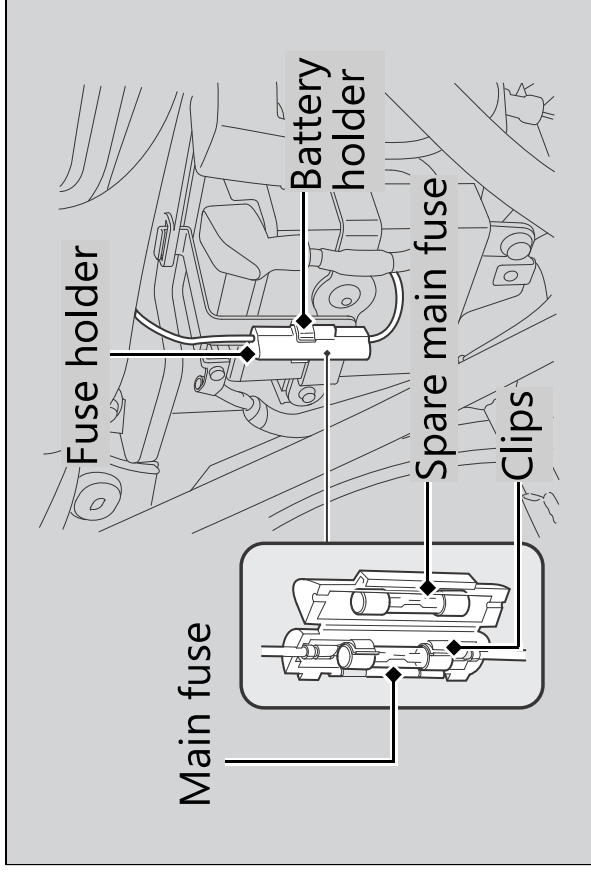
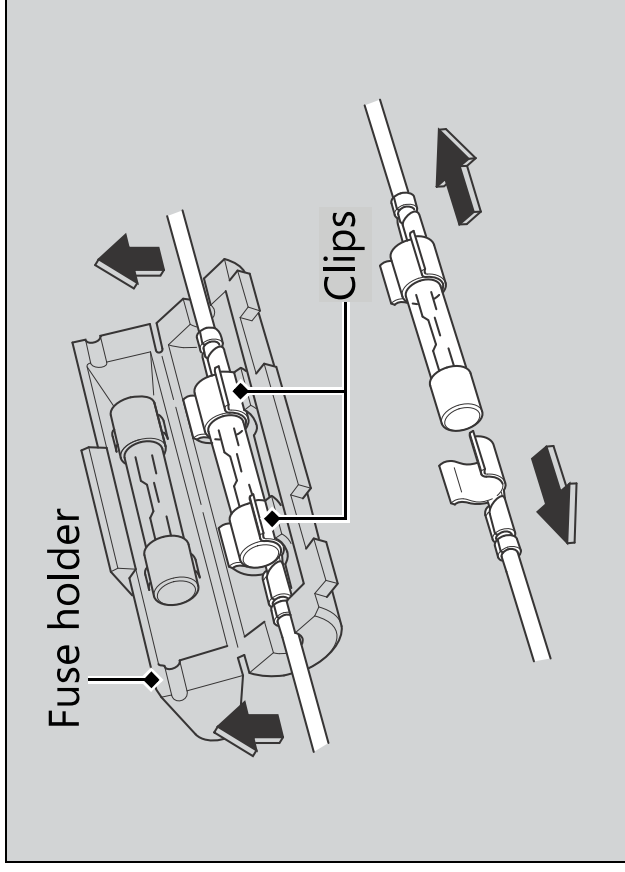


Main Fuse



1. Remove the right side cover. ➔ P. 48
2. Remove the fuse holder from the battery holder.



3. Open the fuse holder and lift out the main fuse with the clips.
4. Slide the main fuse out of the clips. If the fuse is blown, discard it.