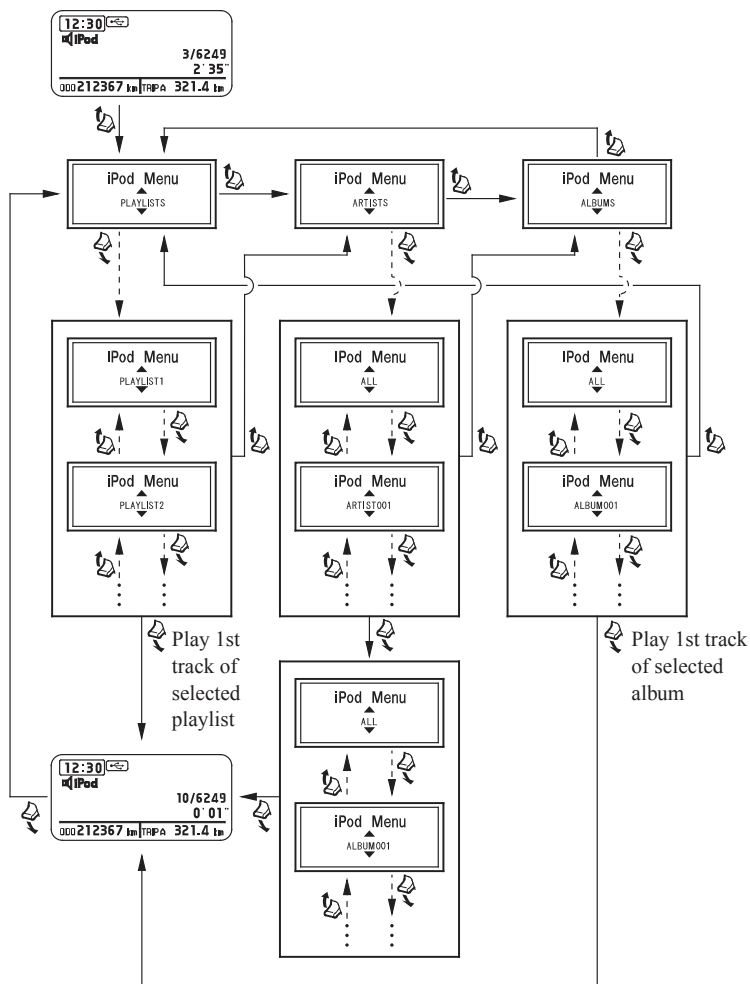


iPod® /USB Flash Drive



- Push the TUNE/CH lever:
- Push and hold the TUNE/CH lever:
- Push the TUNE/CH lever up:
- Push the TUNE/CH lever down: