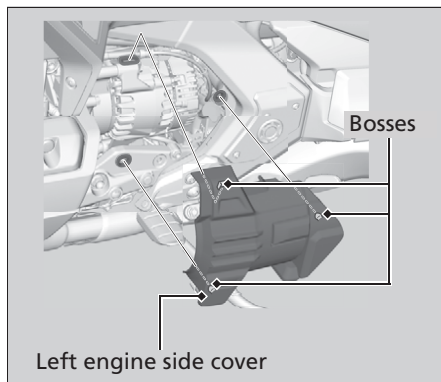


## Left Engine Side Cover



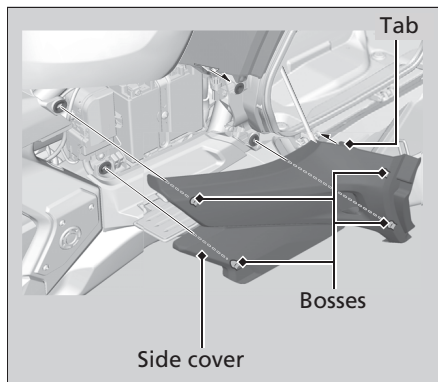
### Removal

1. Release the bosses from the grommets.
2. Remove the left engine side cover.

### Installation

Install the parts in the reverse order of removal.

## Side Cover



The right and left side cover can be removed in the same way.

### Removal

1. Open the saddlebag. ► P. 126
2. Remove the bosses.
3. Release the tab from the saddlebag cover.
4. Remove the side cover.

### Installation

Install the parts in the reverse order of removal.