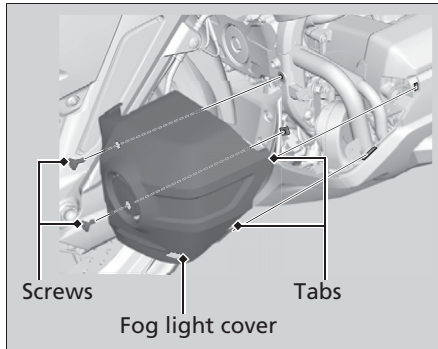


Fog Light Cover



The right and left fog light cover can be removed in the same way.

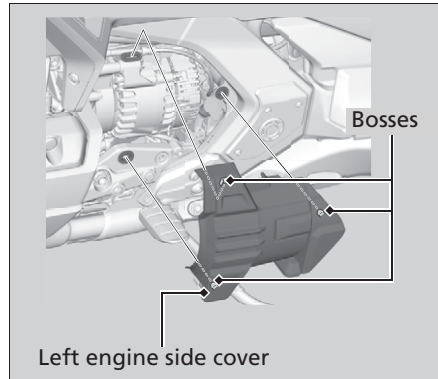
Removal

1. Remove the screws.
2. Release the tabs from the cylinder head side cover.
3. Remove the fog light cover.

Installation

Install the parts in the reverse order of removal.

Left Engine Side Cover



Removal

1. Release the bosses from the grommets.
2. Remove the left engine side cover.

Installation

Install the parts in the reverse order of removal.