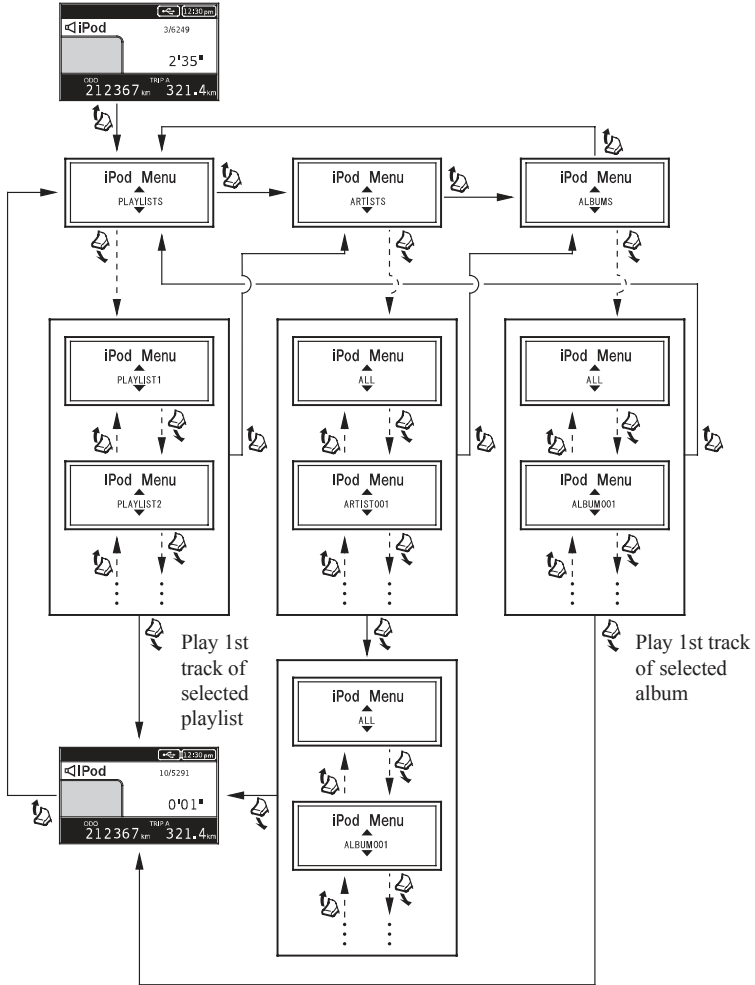
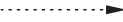




# iPod®/USB Flash Drive

Illustrations are models equipped with Navigation System. Functions and flows of models not equipped with Navigation System are same as models equipped with Navigation System.



- Push the TUNE/CH lever: 
- Push and hold the TUNE/CH lever: 
- Push the TUNE/CH lever up: 
- Push the TUNE/CH lever down: 