

# XM<sup>®</sup> Radio (USA only)

## Select Channel

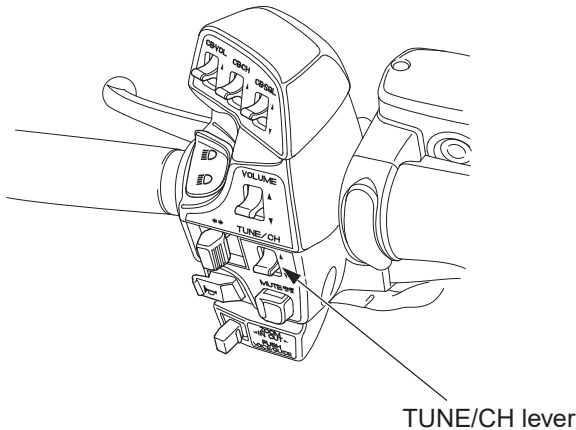
To select channel from XM<sup>®</sup> Channel, push the TUNE/CH lever.

To select channel from XM<sup>®</sup> Category, push and hold the TUNE/CH lever then select the category while XM<sup>®</sup> Category is displaying.

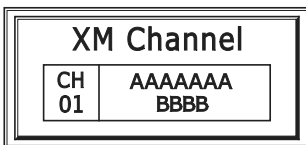
Push the TUNE/CH lever up or down and continue to hold it down until you see the desired channel.

In the channel mode, you can select all of the available channels. In the category mode, such as Jazz, Rock, Classical, etc., you can select all of the channels within that category.

You may experience periods when XM<sup>®</sup> Radio does not transmit the artist's name and song title information. If this happens, there is nothing wrong with your system.



XM<sup>®</sup> Channel



XM<sup>®</sup> Category

