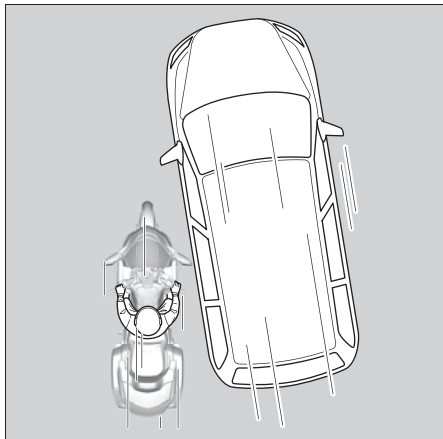


## Safety Precautions

- Finally, if the motorcycle is involved in a sideswipe with a stationary object, such as a concrete median barrier, or with another vehicle traveling in the same direction, as illustrated here, the airbag should not deploy.



### Important Safety Precautions

- Do not install or temporarily attach any items, such as a map holder, over the airbag cover or in the area between the rider's seat and the handlebars. This could prevent the airbag from deploying properly, or cause items to be propelled by the airbag and possibly hurt someone.
- Do not tamper with any system components, including the wires or connectors. Doing so could prevent the airbag system from operating properly or cause unintended airbag deployment and possibly serious injury.
- Do not attempt to remove any airbag components — even temporarily. This could result in unintended airbag deployment and injury.

What you should do: Follow all recommendations in this owner's manual.