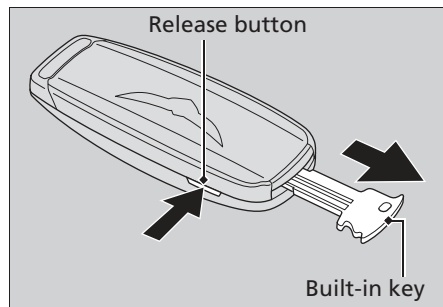


## If the Saddlebags or Travel Trunk Won't Open

The built-in key can be used to open the left saddle bag when the Honda SMART Key battery becomes weak. If you lose the Honda SMART Key, the left saddlebag can be unlocked using the emergency key. **P. 212**

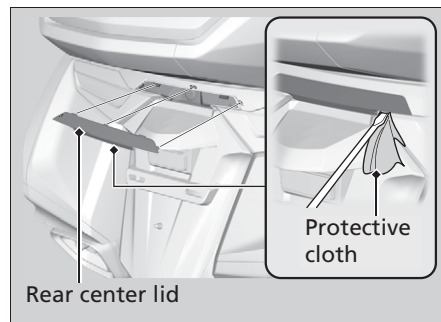
To remove the built-in key, pull it out by pressing the release button on the Honda SMART Key.

To reinstall the built-in key, push the built-in key into the Honda SMART Key until it clicks.



### To Open the Saddlebags Emergency

1. Remove the rear center lid by using a flat head screwdriver covered with a protective cloth.



2. Remove the built-in key from the Honda SMART Key.

3. Insert the built-in key or emergency key in the left saddlebag opener and turn it clockwise to open the left saddlebag.

