

Rear Wheel

Removal

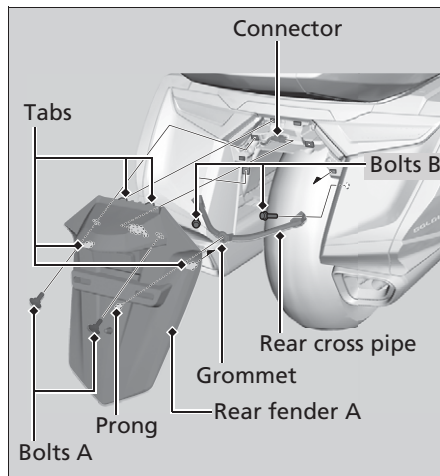
1. GL1800/D/DA

Place your motorcycle on its center stand on a firm, level surface.

GL1800B/BD

Place your motorcycle on a firm, level surface.

- Remove the bolts A and pull out the rear fender A while releasing the tabs from the slots and the prong from the grommet.
- Remove the rear fender A, then disconnect the connector.
- Remove the bolts B and rear cross pipe.



- Remove the bolt C and pull the left muffler inner cover forward to release the hooks.
- Remove the left muffler inner cover.

