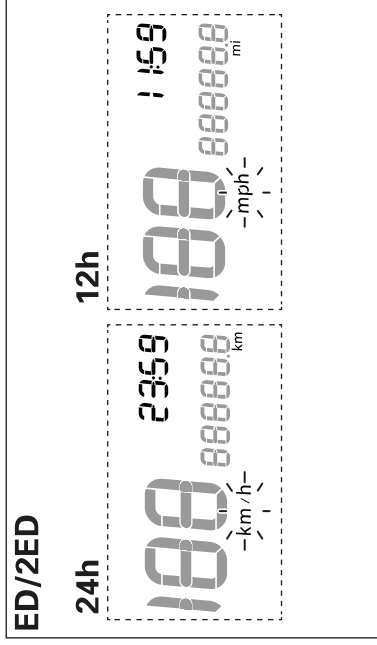


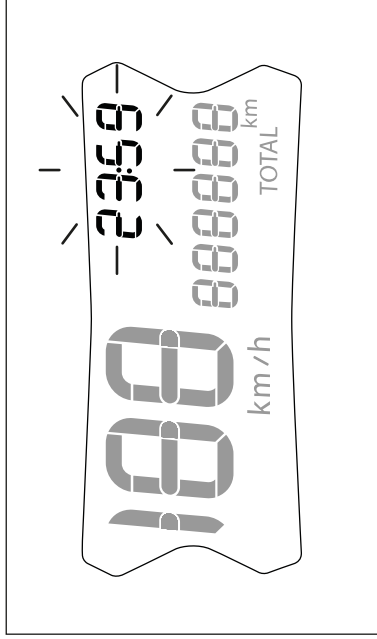
Operating instructions



3. Clock settings

The clock will be displayed in 24h format if the unit of measure is set to **km**.

The clock will be displayed in 12h format if the unit of measure is set to **mi**.



1. Start the motorcycle.

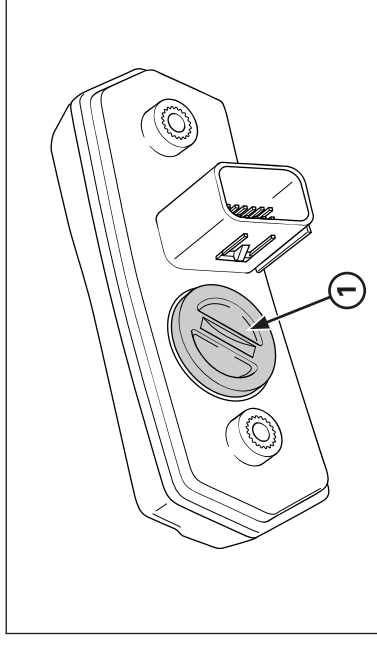
2. Press the (MODE) + (SET) buttons.

- Press and hold more than 2 seconds. The clock will be set in the adjust mode with the hour display flashing.

- Press the (MODE) button to change the hours.
- Press less than 2 seconds, the digit will increase by one hour each time the button is pressed.
- Keep the button pressed, the hour digit advances fast, release the button when the desired time is displayed.
- Press the (SET) button to change the minutes.
- Press less than 2 seconds, the digit will increase by one minute each time the button is pressed.
- Keep the button pressed, the minute digit advances fast. Release the button when the desired minute is displayed.

3. Press the (MODE) + (SET) buttons.

- Press and hold more than 10 seconds to save the new values and exit the clock setting mode.
- If no button is pressed for more than 10 seconds, the clock setting mode will end without saving the changes.



(1) COIN BATTERY

4. Coin battery

Odometer/Speedometer is equipped with a coin battery for keeping time when motorcycle is off.

Coin size: CR2032