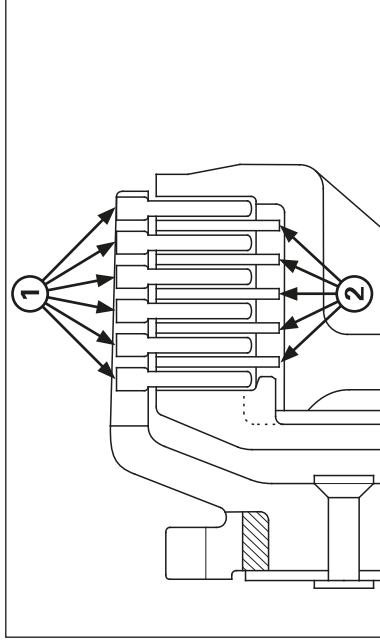


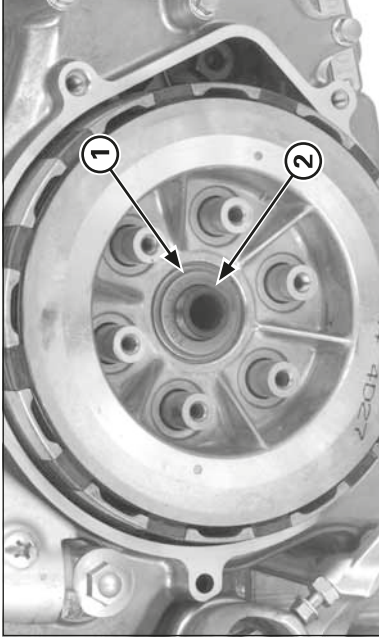
(1) PRESSURE PLATE  
(2) CLUTCH CENTER  
(3) DOT MARKS



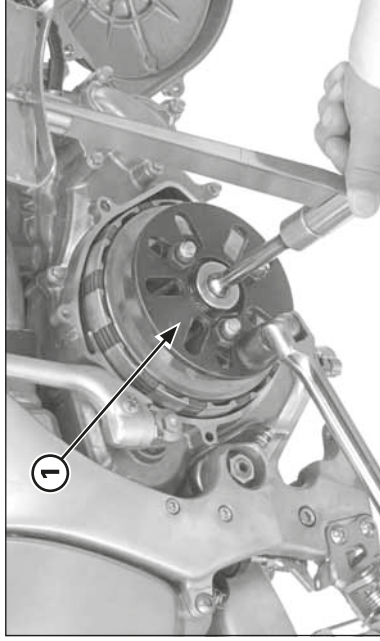
(1) CLUTCH DISCS  
(2) CLUTCH PLATE

Coat the clutch plates with clean transmission oil.  
Install the clutch discs and plates alternately onto the clutch center starting with the clutch disc  
Install the clutch pressure plate onto the clutch center aligning the dot mark on the pressure plate with the dot marks on the clutch center as shown.

Install the clutch center assembly into the clutch outer.



(1) THRUST WASHER  
(2) LOCK WASHER ("OUTSIDE" MARK IN FRONT)

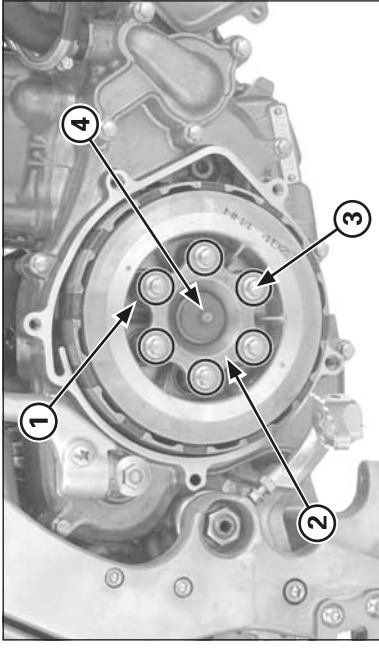


(1) CLUTCH CENTER HOLDER

Install the thrust washer onto the mainshaft.  
Install the lock washer with its "OUT SIDE" mark facing out.  
Apply oil to the clutch center nut and install it.  
Hold the clutch assembly with the clutch center holder and tighten the clutch center nut to the specified torque.

**Tool:**  
**Clutch center holder 07JMB-MN50302**

**Torque: 69 N·m (7.0 kgf·m, 51 lbf·ft)**



(1) CLUTCH SPRINGS  
(2) LIFTER PLATE  
(3) BOLTS  
(4) LIFTER PIECE ASSEMBLY

Install the clutch springs, lifter plate and spring bolts.  
Tighten the spring bolts in a crisscross pattern in several steps, then tighten them to the specified torque.

**Torque: 12 N·m (1.2 kgf·m, 9 lbf·ft)**

Install the clutch lifter piece assembly.

Install the clutch cover (page 4-41).