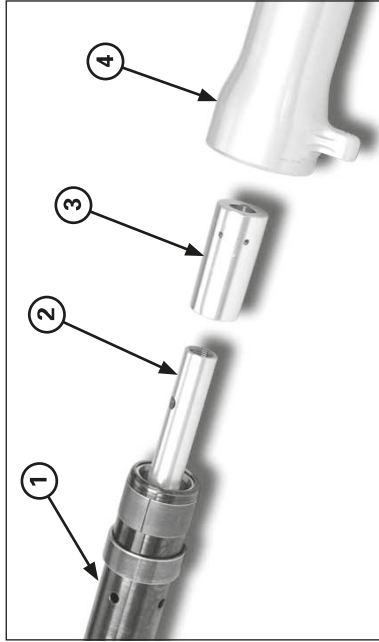


Frame servicing



- (1) FORK TUBE
- (2) CYLINDER ASSY
- (3) TAPERED BUSHING
- (4) FORK SLIDER

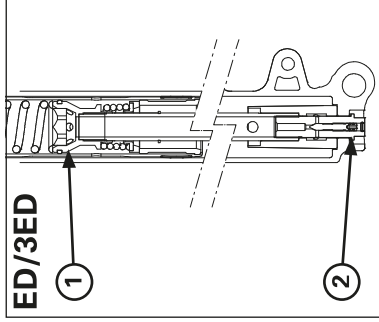
Left Fork Assembly

Clean the parts thoroughly with non-flammable or high flash point solvent before assembly.

Apply fork fluid to the piston ring.
Install the cylinder assy into the fork tube.
Install the tapered bushing on the end of the cylinder assy.

NOTICE

The tapered bushing is easy to scratched or deformed. Take care not to damage it when assembling it.



- (1) CILINDER ASSY
- (2) CENTER BOLT

Hold the axle holder in a vise protected with a piece of wood or soft jaws to avoid damage.
Do not overtighten the vise.

Clean and apply a locking agent to the center bolt threads (2ED/4ED).

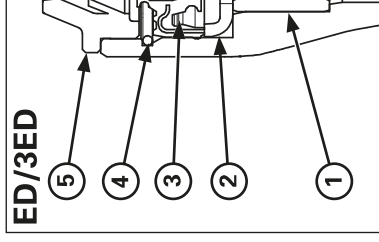
Install the center bolt with a new sealing washer.
Hold the cylinder assembly using the special tool, then tighten the center bolt to the specified torque.

Tool:

Fork damper holder 07930-KA50100

Torque:

ED/3ED: 23.5-25.5 N·m (2.4-2.6 kgf·m)
2ED/4ED: 34 N·m (3.5 kgf·m)



- (1) GUIDE BUSHING
- (2) BACK-UP RING
- (3) OIL SEAL
- (4) STOP RING
- (5) DUST SEAL

Install the following parts onto the fork tube using the same procedure as the right fork (page 5-6):

- Fork tube bushing
- Guide bushing
- Back-up ring

Using the special tool, drive the guide bushing and backup ring until the stop ring groove is fully stuck in the fork slider base.

Install the oil seal (spring up) in the fork slider. Drive the oil seal using the special tool, performing a constant pressure until stops in back-up ring.

Tool:

Fork seal driver 07947-4630100

Install the stop ring into the slider groove securely.
Install the dust seal.