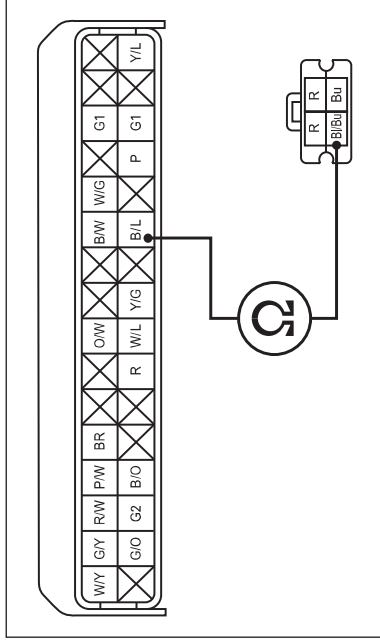
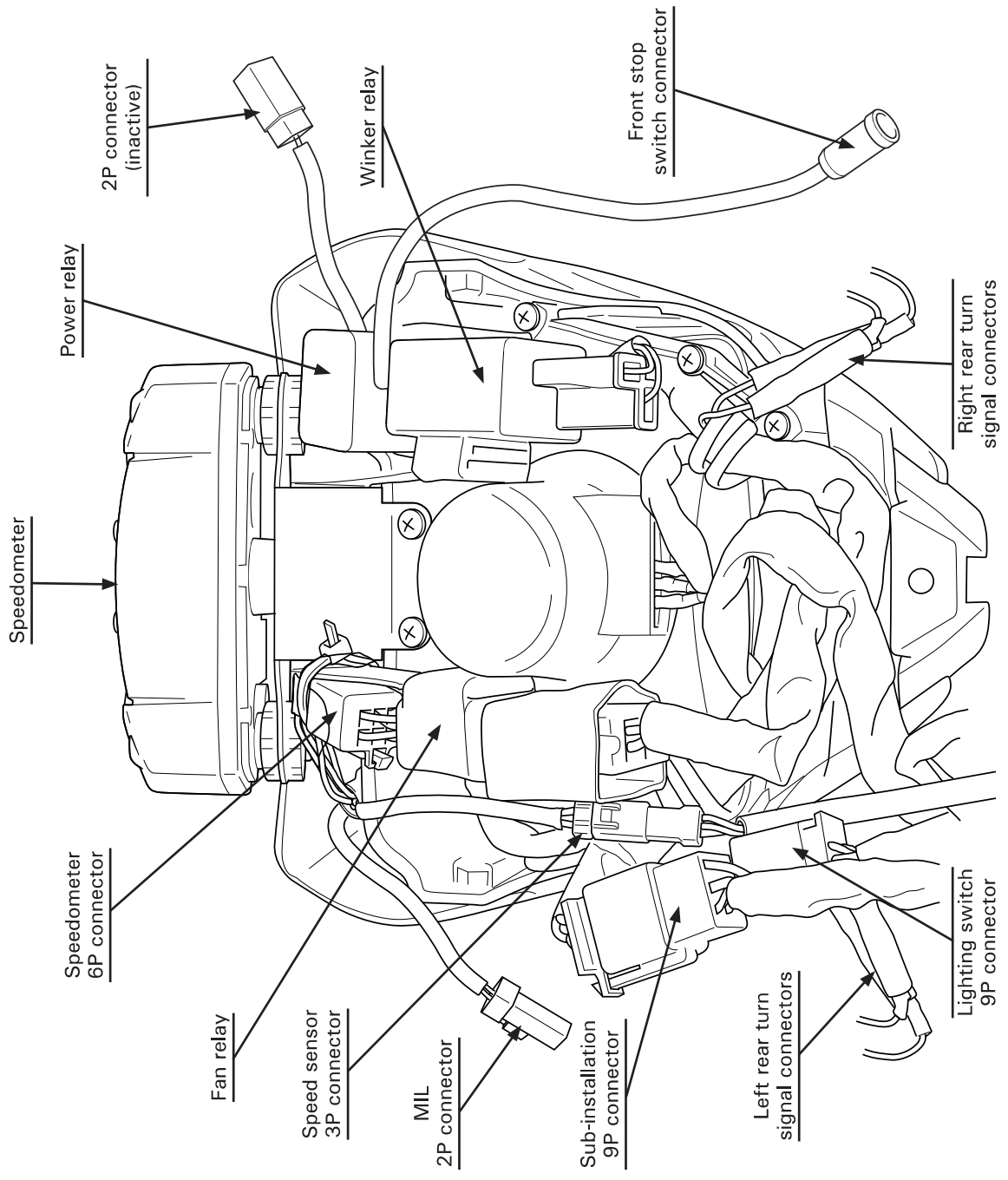


Chapter lights / instruments / switches (2ED)

System location



Wire harness inspection

Check for continuity of the Black/Blue wire between the fan motor relay 2P (Natural) connector and ECM 32P (Black) connector.

There should be continuity. If there is no continuity, repair or replace the wire harness.