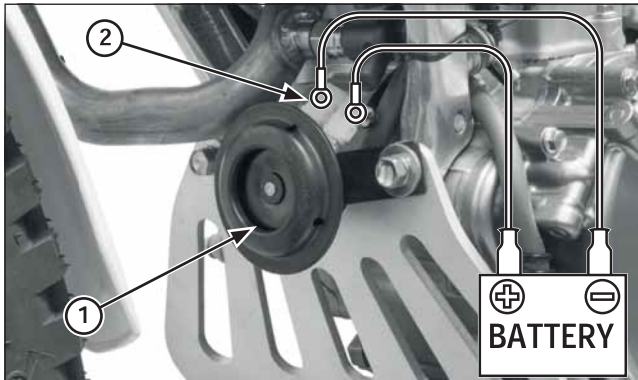


## Electrical servicing



- (1) HORN  
(2) CONNECTORS

### Horn (2ED)




#### Checks:

If the engine starts but the horn does not work, check the following:

- Loose connection.

Start the engine and check the voltage between the following terminals of the connector 9P (white) on the harness side:

**Connection:** Black (+) and Ground (-)  
**Standard:** 12V approximately.

	GND	Ho
FREE		
PUSH		
COLOR	G	LG

HORN SWITCH

If there is no voltage, check the following:

- Open circuit in the Black wire between the ignition relay and the connector 9P (white) on the handlebar.

If there is voltage, check the continuity between the terminals in each switch position, as shown in the table.

Disconnect the horn's connectors.

Connect the 12 V battery to the horn's terminals.

The horn is working properly when it makes a noise when the 12 V battery is connected to its terminals.