

(1) INJECTOR

Injector

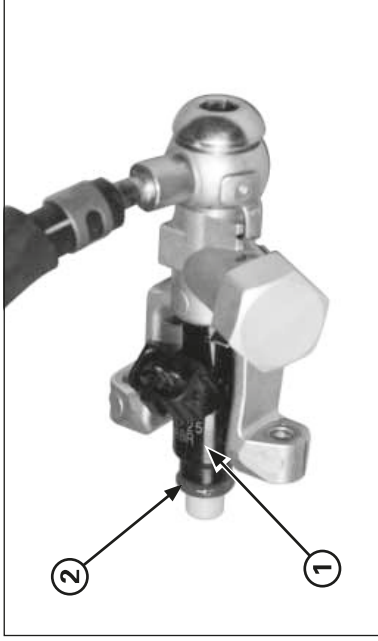
Inspection

Remove the rear fender.

Start the engine and let it idle.

Confirm the injector operating sounds with a sounding rod or stethoscope.

If the injector does not operate, replace the injector.

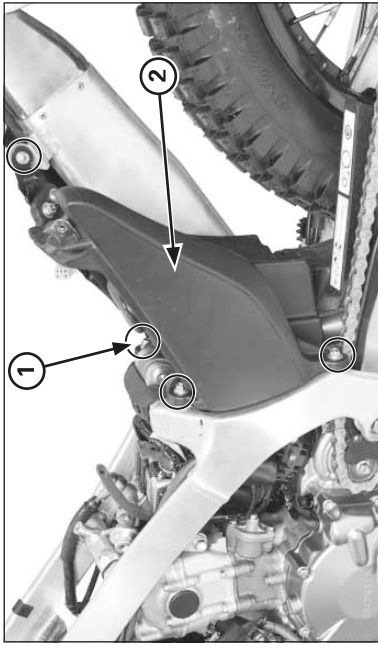


(1) INJECTOR
(2) NEW O-RING

Removal/Installation

Do not remove the injector from the injector holder. Replace the injector and holder as an assembly.

Always replace the O-ring when the fuel injector assembly is removed from the cylinder head.



(1) BOLTS/NUTS
(2) AIR CLEANER HOUSING

Throttle Body

Removal

Remove the rear fender.

Loosen the connecting tube band screw.

Remove the silencer mounting bolt.

Remove the air cleaner housing mounting nuts and bolt.

Pull the air cleaner housing backward being careful not to damage the wire harness.
Disconnect the crankcase breather hose from the housing joint.