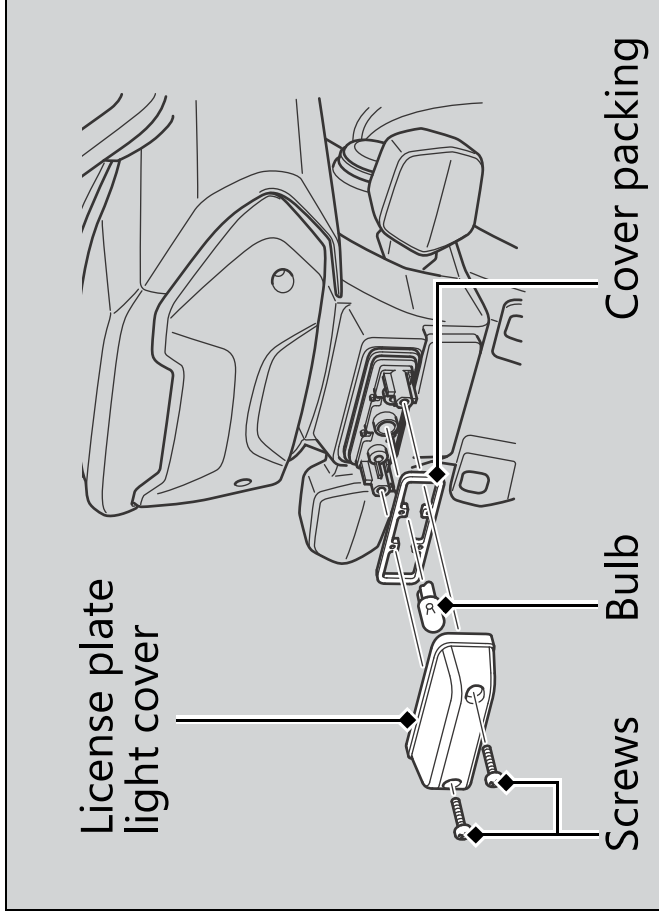


License Plate Light



- 1.** Remove the screws, the license plate light cover and the cover packing.
- 2.** Pull out the bulb without turning.
- 3.** Install a new bulb and reinstall the parts in the reverse order of removal.